



GHISA - CAST IRON

I dati tecnici riportati nel presente catalogo non sono impegnativi.
Felm si riserva il diritto e la facoltà di apportare modifiche in qualsiasi momento senza preavviso.

The technical data listed in this catalogue may not be considered as binding.
Felm reserves the right to make modifications at any time without notice.

SPECIFICHE TECNICHE (50HZ) 2 POLI
TECHNICAL SPECIFICATION (50HZ) 2 POLE

| Motor Type | Rated output | | Full load | | | | | Locked Current | Locked Torque | Break-down Torque | moment of inertia J | weight |
|------------------------|--------------|------|-----------|------|----------------|----------------------|------------------|----------------|---------------|-------------------|---------------------|--------|
| | | | Current A | | Speed r/min | Power factor COSØ | Efficiency η% | | | | | |
| | kW | HP | 380V | 400V | | | | Rated Current | Rated Torque | Rated Torque | kgm² | kg |
| Y ₂ 63A-2 | 0.18 | 0.24 | 0.52 | 0.50 | 2720 | 0.803 | 65.2 | 2.86 | 2.07 | 2.87 | 0.0003 | 10 |
| Y ₂ 63B-2 | 0.25 | 0.33 | 0.68 | 0.65 | 2730 | 0.814 | 68.4 | 3.11 | 2.62 | 2.76 | 0.0004 | 11 |
| Y ₂ 71A-2 | 0.37 | 0.5 | 1.01 | 0.96 | 2807 | 0.822 | 67.7 | 5.68 | 3.53 | 3.34 | 0.0005 | 14 |
| Y ₂ 71B-2 | 0.55 | 0.75 | 1.34 | 1.28 | 2841 | 0.819 | 76.0 | 6.94 | 3.76 | 3.79 | 0.0006 | 15 |
| Y ₂ 80A-2 | 0.75 | 1.0 | 1.86 | 1.77 | 2870 | 0.809 | 75.8 | 6.81 | 3.34 | 3.64 | 0.0008 | 16 |
| Y ₂ 80B-2 | 1.1 | 1.5 | 2.52 | 2.39 | 2874 | 0.841 | 79.0 | 7.18 | 3.11 | 3.42 | 0.0009 | 17 |
| Y ₂ 90S-2 | 1.5 | 2.0 | 3.50 | 3.33 | 2854 | 0.819 | 79.4 | 6.43 | 3.09 | 3.25 | 0.0012 | 22 |
| Y ₂ 90L-2 | 2.2 | 3.0 | 4.78 | 4.54 | 2841 | 0.862 | 81.1 | 6.24 | 3.17 | 3.38 | 0.0014 | 25 |
| Y ₂ 100L-2 | 3.0 | 4.0 | 6.30 | 5.99 | 2867 | 0.869 | 83.2 | 7.62 | 2.87 | 3.64 | 0.0029 | 33 |
| Y ₂ 112M-2 | 4.0 | 5.5 | 7.68 | 7.29 | 2862 | 0.928 | 85.3 | 6.88 | 2.08 | 3.46 | 0.0055 | 40 |
| Y ₂ 132SA-2 | 5.5 | 7.5 | 10.9 | 10.4 | 2904 | 0.891 | 86.0 | 7.56 | 2.48 | 3.68 | 0.0104 | 59 |
| Y ₂ 132SB-2 | 7.5 | 10 | 14.4 | 13.7 | 2878 | 0.906 | 87.2 | 6.79 | 2.03 | 3.38 | 0.0121 | 62 |
| Y ₂ 160MA-2 | 11 | 15 | 21.2 | 20.1 | 2925 | 0.894 | 88.3 | 7.91 | 2.27 | 3.33 | 0.0370 | 107 |
| Y ₂ 160MB-2 | 15 | 20 | 27.8 | 26.4 | 2931 | 0.918 | 89.3 | 8.37 | 2.69 | 3.74 | 0.0432 | 117 |
| Y ₂ 160L-2 | 18.5 | 25 | 34.2 | 32.5 | 2938 | 0.900 | 91.4 | 8.34 | 2.81 | 3.71 | 0.0525 | 134 |
| Y ₂ 180M-2 | 22 | 30 | 40.2 | 38.2 | 2951 | 0.920 | 90.4 | 7.71 | 2.77 | 3.44 | 0.0710 | 169 |
| Y ₂ 200LA-2 | 30 | 40 | 53.9 | 51.2 | 2952 | 0.925 | 91.4 | 7.89 | 2.56 | 3.41 | 0.119 | 220 |
| Y ₂ 200LB-2 | 37 | 55 | 66.5 | 63.2 | 2950 | 0.918 | 92.1 | 7.60 | 2.24 | 3.21 | 0.133 | 239 |
| Y ₂ 225M-2 | 45 | 60 | 81.7 | 77.6 | 2962 | 0.904 | 92.6 | 7.84 | 2.64 | 3.56 | 0.221 | 297 |
| Y ₂ 250M-2 | 55 | 75 | 100 | 95.1 | 2966 | 0.898 | 93.0 | 7.83 | 2.26 | 3.51 | 0.305 | 377 |
| Y ₂ 280S-2 | 75 | 100 | 133 | 127 | 2974 | 0.912 | 93.8 | 7.15 | 2.42 | 3.33 | 0.584 | 510 |
| Y ₂ 280M-2 | 90 | 125 | 160 | 152 | 2961 | 0.913 | 93.9 | 6.98 | 2.34 | 3.53 | 0.665 | 540 |
| Y ₂ 315S-2 | 110 | 150 | 197 | 187 | 2974 | 0.902 | 94.2 | 6.32 | 2.03 | 3.10 | 1.130 | 920 |
| Y ₂ 315M-2 | 132 | 180 | 232 | 221 | 2972 | 0.910 | 94.8 | 5.88 | 2.00 | 2.89 | 1.750 | 970 |
| Y ₂ 315LA-2 | 160 | 215 | 280 | 266 | 2974 | 0.915 | 95.0 | 6.92 | 2.21 | 3.33 | 2.010 | 1080 |
| Y ₂ 315LB-2 | 200 | 270 | 348 | 331 | 2972 | 0.914 | 95.4 | 6.68 | 2.05 | 3.23 | 2.270 | 1170 |
| Y ₂ 355M-2 | 250 | 340 | 440 | 418 | 2985 | 0.900 | 95.9 | 6.78 | 2.11 | 3.07 | 3.296 | 1690 |
| Y ₂ 355LA-2 | 280 | 375 | 495 | 470 | 2977 | 0.900 | 95.5 | 5.36 | 1.57 | 2.58 | 3.849 | 1850 |
| Y ₂ 355LB-2 | 315 | 420 | 553 | 525 | 2988 | 0.904 | 95.8 | 7.38 | 1.86 | 3.43 | 3.95 | 1850 |
| Y ₂ 355XA-2 | 355 | 475 | 617 | 587 | 2985 | 0.910 | 96.0 | 6.74 | 1.83 | 3.07 | 4.16 | 2050 |
| Y ₂ 355XB-2 | 400 | 535 | 694 | 659 | 2985 | 0.911 | 96.1 | 6.33 | 1.79 | 2.77 | 4.32 | 2180 |
| Y ₂ 355XC-2 | 450 | 600 | 778 | 740 | 2985 | 0.913 | 96.2 | 6.53 | 1.92 | 2.94 | 4.54 | 2340 |
| Y ₂ 355XD-2 | 500 | 670 | 860 | 817 | 2985 | 0.916 | 96.4 | 6.83 | 2.09 | 2.84 | 4.82 | 2520 |
| Y ₂ 400MA-2 | 355 | 475 | 629 | 597 | 2986 | 0.900 | 95.3 | 7.50 | 1.55 | 2.40 | 7.45 | 2850 |
| Y ₂ 400MB-2 | 400 | 535 | 702 | 667 | 2988 | 0.900 | 96.2 | 7.61 | 1.69 | 2.82 | 7.95 | 2950 |
| Y ₂ 400M3-2 | 450 | 600 | 793 | 753 | 2988 | 0.900 | 95.8 | 7.50 | 1.46 | 2.70 | 8.60 | 3200 |
| Y ₂ 400LA-2 | 500 | 670 | 872 | 829 | 2988 | 0.908 | 95.9 | 7.30 | 1.52 | 2.80 | 9.60 | 3340 |
| Y ₂ 400XA-2 | 560 | 750 | 977 | 928 | 2988 | 0.907 | 96.0 | 7.30 | 1.43 | 2.65 | 11.1 | 3490 |
| Y ₂ 400XB-2 | 630 | 840 | 1099 | 1044 | 2988 | 0.906 | 96.1 | 7.42 | 1.51 | 2.75 | 14.5 | 3660 |
| Y ₂ 400XC-2 | 710 | 945 | #715 | *680 | 2988 | 0.905 | 96.2 | 7.61 | 1.57 | 2.81 | 18.2 | 3820 |
| Y ₂ 450XA-2 | 800 | 1065 | #801 | *766 | 2990 | 0.908 | 96.2 | 7.40 | 1.08 | 2.35 | 21.2 | 4400 |
| Y ₂ 450XB-2 | 900 | 1200 | #904 | *865 | 2990 | 0.906 | 96.1 | 7.50 | 1.12 | 2.44 | 24.6 | 4650 |
| Y ₂ 450XC-2 | 1000 | 1335 | #1000 | *957 | 2990 | 0.908 | 96.3 | 7.38 | 1.06 | 2.28 | 28.7 | 4950 |

Osservazioni: 1) con “#” i dati di corrente sono riferiti a Volt 660; 2) con “*” i dati di corrente sono riferiti a Volt 690
Remark: 1) with “#”, the current data is of voltage 660V; 2) with “*”, the current data is of voltage 690V.

SPECIFICHE TECNICHE (50HZ) 4 POLI
TECHNICAL SPECIFICATION (50HZ) 4 POLE

| Motor Type | Rated output | | Full load | | | | | Locked Current | Locked Torque | Break-down Torque | moment of inertia J | weight |
|------------------------|--------------|------|-----------|-------|----------------|----------------------|------------------|----------------|---------------|-------------------|---------------------|--------|
| | | | Current A | | Speed r/min | Power factor COSØ | Efficiency η% | | | | | |
| | kW | HP | 380V | 400V | | | | Rated Current | Rated Torque | Rated Torque | kgm² | kg |
| Y ₂ 63A-4 | 0.12 | 0.16 | 0.44 | 0.42 | 1340 | 0.714 | 57.8 | 3.57 | 2.48 | 3.16 | 0.00009 | 11 |
| Y ₂ 63B-4 | 0.18 | 0.24 | 0.63 | 0.59 | 1330 | 0.724 | 60.4 | 3.42 | 2.69 | 2.88 | 0.0001 | 11 |
| Y ₂ 71A-4 | 0.25 | 0.33 | 0.79 | 0.75 | 1400 | 0.731 | 66.0 | 4.6 | 2.77 | 3.17 | 0.0011 | 14 |
| Y ₂ 71B-4 | 0.37 | 0.5 | 1.12 | 1.07 | 1382 | 0.731 | 68.4 | 4.45 | 2.63 | 2.97 | 0.0012 | 15 |
| Y ₂ 80A-4 | 0.55 | 0.75 | 1.57 | 1.49 | 1410 | 0.737 | 72.3 | 4.78 | 2.78 | 3.96 | 0.0018 | 17 |
| Y ₂ 80B-4 | 0.75 | 1.0 | 1.99 | 1.89 | 1402 | 0.782 | 73.4 | 5.86 | 2.88 | 3.04 | 0.0021 | 18 |
| Y ₂ 90S-4 | 1.1 | 1.5 | 2.8 | 2.66 | 1395 | 0.783 | 76.3 | 5.28 | 2.69 | 2.71 | 0.0021 | 22 |
| Y ₂ 90L-4 | 1.5 | 2.0 | 3.7 | 3.51 | 1412 | 0.784 | 78.6 | 6.15 | 2.09 | 3.17 | 0.0027 | 28 |
| Y ₂ 100LA-4 | 2.2 | 3.0 | 5.08 | 4.83 | 1431 | 0.809 | 81.3 | 6.21 | 2.31 | 3.05 | 0.0054 | 34 |
| Y ₂ 100LB-4 | 3.0 | 4.0 | 6.86 | 6.52 | 1431 | 0.803 | 82.7 | 6.95 | 2.85 | 3.24 | 0.0067 | 38 |
| Y ₂ 112M-4 | 4.0 | 5.5 | 8.48 | 8.06 | 1438 | 0.847 | 84.6 | 6.79 | 2.38 | 3.23 | 0.0086 | 44 |
| Y ₂ 132S-4 | 5.5 | 7.5 | 11.7 | 11.1 | 1445 | 0.837 | 85.7 | 7.39 | 2.22 | 3.43 | 0.0205 | 61 |
| Y ₂ 132M-4 | 7.5 | 10 | 15.1 | 14.4 | 1445 | 0.863 | 87.3 | 8.17 | 2.41 | 3.31 | 0.0296 | 73 |
| Y ₂ 160M-4 | 11 | 15 | 22.0 | 20.9 | 1451 | 0.859 | 88.5 | 7.20 | 2.09 | 2.98 | 0.0724 | 113 |
| Y ₂ 160L-4 | 15 | 20 | 29.5 | 28.0 | 1452 | 0.864 | 89.5 | 7.39 | 2.21 | 3.09 | 0.0929 | 133 |
| Y ₂ 180M-4 | 18.5 | 25 | 35.0 | 33.2 | 1465 | 0.888 | 90.5 | 6.96 | 2.18 | 3.08 | 0.135 | 167 |
| Y ₂ 180L-4 | 22 | 30 | 42.0 | 39.9 | 1464 | 0.878 | 90.7 | 6.94 | 2.11 | 3.08 | 0.136 | 181 |
| Y ₂ 200L-4 | 30 | 40 | 56.6 | 53.8 | 1468 | 0.879 | 91.6 | 6.99 | 2.35 | 3.16 | 0.245 | 232 |
| Y ₂ 225S-4 | 37 | 55 | 70.6 | 67.1 | 1472 | 0.867 | 91.8 | 6.70 | 2.23 | 3.06 | 0.390 | 287 |
| Y ₂ 225M-4 | 45 | 60 | 84.9 | 80.6 | 1477 | 0.870 | 92.6 | 7.13 | 2.37 | 3.16 | 0.450 | 322 |
| Y ₂ 250M-4 | 55 | 75 | 102 | 97.0 | 1477 | 0.880 | 93.0 | 7.27 | 2.44 | 3.26 | 0.640 | 381 |
| Y ₂ 280S-4 | 75 | 100 | 137 | 130 | 1481 | 0.890 | 93.7 | 6.36 | 2.12 | 3.16 | 1.045 | 510 |
| Y ₂ 280M-4 | 90 | 125 | 163 | 155 | 1481 | 0.892 | 93.9 | 7.10 | 2.49 | 3.24 | 1.396 | 600 |
| Y ₂ 315S-4 | 110 | 150 | 204 | 193 | 1485 | 0.869 | 94.5 | 5.78 | 2.02 | 2.87 | 2.980 | 921 |
| Y ₂ 315M-4 | 132 | 180 | 237 | 226 | 1485 | 0.892 | 94.7 | 5.65 | 1.95 | 2.80 | 3.480 | 1002 |
| Y ₂ 315LA-4 | 160 | 215 | 282 | 268 | 1486 | 0.907 | 95.0 | 5.64 | 1.97 | 2.85 | 3.960 | 1070 |
| Y ₂ 315LB-4 | 200 | 270 | 360 | 342 | 1485 | 0.885 | 95.5 | 5.97 | 2.20 | 2.98 | 4.470 | 1181 |
| Y ₂ 355M-4 | 250 | 340 | 444 | 421 | 1491 | 0.894 | 95.8 | 6.16 | 2.90 | 3.18 | 7.164 | 1720 |
| Y ₂ 355LA-4 | 280 | 375 | 497 | 472 | 1490 | 0.892 | 95.9 | 6.73 | 2.64 | 3.22 | 7.903 | 1850 |
| Y ₂ 355LB-4 | 315 | 420 | 558 | 530 | 1490 | 0.893 | 96.0 | 7.52 | 2.37 | 3.25 | 8.702 | 1950 |
| Y ₂ 355XA-4 | 355 | 475 | 618 | 587 | 1490 | 0.895 | 96.1 | 6.18 | 2.13 | 2.84 | 11.9 | 2150 |
| Y ₂ 355XB-4 | 400 | 535 | 710 | 674 | 1490 | 0.890 | 96.2 | 6.45 | 2.30 | 2.95 | 13.1 | 2300 |
| Y ₂ 355XC-4 | 450 | 600 | 802 | 762 | 1490 | 0.886 | 96.2 | 6.93 | 2.57 | 3.13 | 14.8 | 2460 |
| Y ₂ 355XD-4 | 500 | 670 | 880 | 836 | 1490 | 0.896 | 96.4 | 6.52 | 2.28 | 2.71 | 16.5 | 2720 |
| Y ₂ 400MA-4 | 355 | 475 | 628 | 596 | 1490 | 0.893 | 96.2 | 6.45 | 1.56 | 2.90 | 14.7 | 2950 |
| Y ₂ 400MB-4 | 400 | 535 | 708 | 673 | 1491 | 0.891 | 96.3 | 6.36 | 1.34 | 2.86 | 14.9 | 3000 |
| Y ₂ 400M3-4 | 450 | 600 | 790 | 751 | 1489 | 0.903 | 95.8 | 6.59 | 1.47 | 3.12 | 15.1 | 3050 |
| Y ₂ 400LA-4 | 500 | 670 | 877 | 833 | 1492 | 0.901 | 96.1 | 6.22 | 1.27 | 2.86 | 18.4 | 3260 |
| Y ₂ 400XA-4 | 560 | 750 | 1001 | 951 | 1492 | 0.885 | 96.0 | 7.38 | 1.76 | 3.62 | 19.5 | 3360 |
| Y ₂ 400XB-4 | 630 | 840 | 1115 | 1059 | 1487 | 0.896 | 95.8 | 6.48 | 1.56 | 2.99 | 21.1 | 3430 |
| Y ₂ 400XC-4 | 710 | 945 | 1308 | 1243 | 1491 | 0.856 | 96.3 | 7.18 | 2.14 | 2.78 | 23.1 | 3620 |
| Y ₂ 450XA-4 | 800 | 1080 | #843 | *806 | 1492 | 0.863 | 96.2 | 7.20 | 2.20 | 2.85 | 38.8 | 4700 |
| Y ₂ 450XB-4 | 900 | 1200 | #939 | *898 | 1492 | 0.871 | 96.3 | 7.16 | 2.09 | 2.63 | 41.9 | 4900 |
| Y ₂ 450XC-4 | 1000 | 1335 | #1050 | *1004 | 1492 | 0.865 | 96.3 | 7.22 | 2.21 | 2.86 | 45.1 | 5150 |
| Y ₂ 500XA-4 | 1120 | 1495 | #1147 | *1097 | 1494 | 0.886 | 96.4 | 7.13 | 2.05 | 2.95 | 50.3 | 5680 |
| Y ₂ 500XB-4 | 1250 | 1665 | #1288 | *1232 | 1494 | 0.880 | 96.5 | 6.89 | 1.89 | 3.02 | 53.1 | 5820 |
| Y ₂ 500XC-4 | 1400 | 1865 | #1428 | *1366 | 1494 | 0.887 | 96.7 | 7.04 | 2.03 | 2.80 | 56.8 | 6140 |

Osservazioni: 1) con “#” i dati di corrente sono riferiti a Volt 660; 2) con “*” i dati di corrente sono riferiti a Volt 690
Remark: 1) with “#”, the current data is of voltage 660V; 2) with “*”, the current data is of voltage 690V.

SPECIFICHE TECNICHE (50HZ) 6 POLI TECHNICAL SPECIFICATION (50HZ) 6 POLE

| Motor Type | Rated output | | Full load | | | | | Locked Current | Locked Torque | Break-down Torque | moment of inertia J | weight |
|------------------------|--------------|------|-----------|-------|----------------|----------------------|------------------|----------------|---------------|-------------------|---------------------|--------|
| | | | Current A | | Speed r/min | Power factor COSØ | Efficiency η% | | | | | |
| | kW | HP | 380V | 400V | | | | Rated Current | Rated Torque | Rated Torque | kgm² | kg |
| Y ₂ 71A-6 | 0.18 | 0.24 | 0.72 | 0.69 | 906 | 0.654 | 57.8 | 3.40 | 2.31 | 3.19 | 0.0011 | 14 |
| Y ₂ 71B-6 | 0.25 | 0.33 | 0.93 | 0.88 | 892 | 0.670 | 60.9 | 3.45 | 2.33 | 3.01 | 0.0012 | 15 |
| Y ₂ 80A-6 | 0.37 | 0.5 | 1.26 | 1.20 | 905 | 0.718 | 62.1 | 3.42 | 2.19 | 2.58 | 0.0016 | 17 |
| Y ₂ 80B-6 | 0.55 | 0.75 | 1.74 | 1.65 | 908 | 0.733 | 65.5 | 3.55 | 2.35 | 2.62 | 0.0021 | 19 |
| Y ₂ 90S-6 | 0.75 | 1.0 | 2.29 | 2.18 | 922 | 0.717 | 69.3 | 4.27 | 2.30 | 2.66 | 0.0029 | 23 |
| Y ₂ 90L-6 | 1.1 | 1.5 | 3.15 | 3.00 | 918 | 0.726 | 73.0 | 4.38 | 2.18 | 2.82 | 0.0035 | 25 |
| Y ₂ 100L-6 | 1.5 | 2.0 | 3.96 | 3.76 | 933 | 0.755 | 76.3 | 5.46 | 2.59 | 2.91 | 0.0069 | 33 |
| Y ₂ 112M-6 | 2.2 | 3.0 | 5.27 | 5.01 | 946 | 0.795 | 79.8 | 5.79 | 1.91 | 3.00 | 0.0129 | 39 |
| Y ₂ 132S-6 | 3.0 | 4.0 | 7.36 | 6.99 | 965 | 0.761 | 81.4 | 6.46 | 2.06 | 3.25 | 0.0274 | 56 |
| Y ₂ 132MA-6 | 4.0 | 5.5 | 9.52 | 9.04 | 965 | 0.776 | 82.3 | 6.84 | 2.03 | 3.32 | 0.0343 | 71 |
| Y ₂ 132MB-6 | 5.5 | 7.5 | 12.5 | 11.8 | 967 | 0.798 | 84.0 | 7.12 | 1.97 | 3.44 | 0.0431 | 75 |
| Y ₂ 160M-6 | 7.5 | 10 | 16.8 | 16.0 | 968 | 0.783 | 86.5 | 6.36 | 1.87 | 3.16 | 0.08 | 108 |
| Y ₂ 160L-6 | 11 | 15 | 23.0 | 21.8 | 966 | 0.828 | 87.9 | 6.35 | 1.90 | 2.88 | 0.108 | 131 |
| Y ₂ 180L-6 | 15 | 20 | 30.8 | 29.3 | 976 | 0.831 | 89.0 | 6.71 | 2.57 | 2.85 | 0.167 | 171 |
| Y ₂ 200LA-6 | 18.5 | 25 | 37.3 | 35.5 | 978 | 0.835 | 90.2 | 6.63 | 2.32 | 2.98 | 0.302 | 216 |
| Y ₂ 200LB-6 | 22 | 30 | 43.9 | 41.7 | 976 | 0.845 | 90.1 | 6.62 | 2.12 | 2.85 | 0.342 | 225 |
| Y ₂ 225M-6 | 30 | 40 | 58.9 | 56.0 | 984 | 0.842 | 91.9 | 6.50 | 1.97 | 2.63 | 0.525 | 292 |
| Y ₂ 250M-6 | 37 | 55 | 69.3 | 65.8 | 981 | 0.882 | 92.0 | 6.69 | 2.23 | 2.93 | 0.807 | 408 |
| Y ₂ 280S-6 | 45 | 60 | 84.2 | 80.0 | 985 | 0.876 | 92.7 | 6.41 | 2.01 | 2.77 | 1.1334 | 465 |
| Y ₂ 280M-6 | 55 | 75 | 102 | 96.4 | 983 | 0.887 | 92.8 | 6.47 | 2.07 | 2.73 | 1.598 | 540 |
| Y ₂ 315S-6 | 75 | 100 | 143 | 135 | 990 | 0.854 | 93.6 | 6.02 | 1.82 | 2.68 | 3.94 | 861 |
| Y ₂ 315M-6 | 90 | 125 | 173 | 164 | 988 | 0.843 | 93.9 | 6.09 | 2.02 | 2.67 | 4.58 | 940 |
| Y ₂ 315LA-6 | 110 | 150 | 206 | 195 | 988 | 0.864 | 94.1 | 5.88 | 1.92 | 2.58 | 5.23 | 1110 |
| Y ₂ 315LB-6 | 132 | 180 | 243 | 231 | 989 | 0.870 | 95.0 | 6.03 | 1.97 | 2.56 | 5.54 | 1175 |
| Y ₂ 355MA-6 | 160 | 215 | 283 | 269 | 992 | 0.902 | 95.3 | 7.13 | 2.19 | 3.24 | 9.27 | 1690 |
| Y ₂ 355MB-6 | 180 | 240 | 316 | 300 | 991 | 0.909 | 95.3 | 6.97 | 1.70 | 3.10 | 9.52 | 1770 |
| Y ₂ 355M3-6 | 200 | 270 | 353 | 336 | 992 | 0.897 | 95.9 | 7.03 | 1.94 | 3.15 | 10.8 | 1870 |
| Y ₂ 355LA-6 | 225 | 300 | 397 | 377 | 990 | 0.901 | 95.6 | 6.77 | 1.73 | 3.03 | 11.1 | 1900 |
| Y ₂ 355LB-6 | 250 | 340 | 444 | 422 | 991 | 0.896 | 95.5 | 7.13 | 1.86 | 3.17 | 11.8 | 1980 |
| Y ₂ 355XA-6 | 280 | 375 | 508 | 483 | 992 | 0.874 | 95.8 | 6.59 | 2.18 | 2.93 | 12.9 | 2150 |
| Y ₂ 355XB-6 | 315 | 420 | 570 | 542 | 992 | 0.874 | 96.0 | 6.53 | 2.19 | 2.87 | 13.5 | 2310 |
| Y ₂ 355XC-6 | 355 | 475 | 642 | 610 | 992 | 0.874 | 96.1 | 6.85 | 2.33 | 2.98 | 14.3 | 2490 |
| Y ₂ 355XD-6 | 400 | 535 | 721 | 685 | 992 | 0.876 | 96.2 | 6.69 | 2.29 | 2.88 | 15.4 | 2730 |
| Y ₂ 400MA-6 | 315 | 420 | 564 | 536 | 992 | 0.883 | 96.1 | 6.55 | 1.42 | 2.97 | 21.2 | 3500 |
| Y ₂ 400MB-6 | 355 | 475 | 638 | 606 | 995 | 0.878 | 96.3 | 6.69 | 1.19 | 3.10 | 23.5 | 3630 |
| Y ₂ 400L-6 | 400 | 535 | 724 | 687 | 994 | 0.874 | 96.1 | 7.29 | 1.48 | 3.28 | 26.4 | 3800 |
| Y ₂ 400XA-6 | 450 | 600 | 794 | 757 | 995 | 0.894 | 96.0 | 6.34 | 1.12 | 3.02 | 28.8 | 3870 |
| Y ₂ 400XB-6 | 500 | 670 | 914 | 868 | 994 | 0.868 | 95.8 | 7.36 | 1.64 | 3.59 | 31.4 | 3970 |
| Y ₂ 400XC-6 | 560 | 750 | 1015 | 964 | 994 | 0.873 | 96.0 | 7.28 | 1.52 | 3.48 | 34.8 | 4090 |
| Y ₂ 450XA-6 | 630 | 840 | 1166 | 1108 | 995 | 0.855 | 96.0 | 6.72 | 1.49 | 3.34 | 51.2 | 4700 |
| Y ₂ 450XB-6 | 710 | 945 | 1307 | 1242 | 995 | 0.858 | 96.2 | 6.68 | 1.43 | 3.22 | 54.0 | 5100 |
| Y ₂ 450XC-6 | 800 | 1080 | #860 | *822 | 995 | 0.847 | 96.1 | 6.94 | 1.53 | 3.46 | 63.1 | 5500 |
| Y ₂ 500XA-6 | 900 | 1200 | #961 | *919 | 995 | 0.852 | 96.2 | 6.05 | 1.68 | 2.77 | 68.5 | 5800 |
| Y ₂ 500XB-6 | 1000 | 1335 | #1065 | *1019 | 995 | 0.853 | 96.3 | 6.00 | 1.67 | 2.72 | 72.1 | 6050 |
| Y ₂ 500XC-6 | 1120 | 1495 | #1189 | *1137 | 995 | 0.853 | 96.6 | 5.95 | 1.67 | 2.67 | 75.3 | 6250 |
| Y ₂ 560XA-6 | 1250 | 1665 | #1310 | *1254 | 995 | 0.862 | 96.8 | 6.21 | 1.35 | 2.73 | 80.5 | 6900 |
| Y ₂ 560XB-6 | 1400 | 1865 | #1459 | *1396 | 995 | 0.867 | 96.8 | 6.34 | 1.44 | 2.86 | 84.6 | 7150 |

Osservazioni: 1) con “#” i dati di corrente sono riferiti a Volt 660; 2) con “*” i dati di corrente sono riferiti a Volt 690
Remark: 1) with “#”, the current data is of voltage 660V; 2) with “*”, the current data is of voltage 690V.

SPECIFICHE TECNICHE (50HZ) 8 POLI
TECHNICAL SPECIFICATION (50HZ) 8 POLE

| Motor Type | Rated output | | Full load | | | | | Locked Current | Locked Torque | Break-down Torque | moment of inertia J | weight |
|------------------------|--------------|------|-----------|-------|----------------|----------------------|------------------|----------------|---------------|-------------------|---------------------|--------|
| | | | Current A | | Speed r/min | Power factor COSØ | Efficiency η% | | | | | |
| | kW | HP | 380V | 400V | | | | Rated Current | Rated Torque | Rated Torque | kgm² | kg |
| Y ₂ 80A-8 | 0.18 | 0.24 | 0.88 | 0.84 | 693 | 0.606 | 51.1 | 3.04 | 2.66 | 3.08 | 0.0016 | 19 |
| Y ₂ 80B-8 | 0.25 | 0.33 | 1.16 | 1.10 | 689 | 0.604 | 54.3 | 2.80 | 2.55 | 3.07 | 0.0021 | 20 |
| Y ₂ 90S-8 | 0.37 | 0.5 | 1.47 | 1.40 | 691 | 0.614 | 62.3 | 3.44 | 2.20 | 2.74 | 0.0029 | 24 |
| Y ₂ 90L-8 | 0.55 | 0.75 | 2.08 | 1.98 | 703 | 0.612 | 65.5 | 3.55 | 2.57 | 2.83 | 0.0035 | 25 |
| Y ₂ 100LA-8 | 0.75 | 1.0 | 2.37 | 2.26 | 695 | 0.673 | 71.3 | 4.03 | 2.32 | 2.82 | 0.0063 | 33 |
| Y ₂ 100LB-8 | 1.1 | 1.5 | 3.30 | 3.13 | 696 | 0.692 | 73.2 | 4.13 | 2.49 | 2.87 | 0.0077 | 34 |
| Y ₂ 112M-8 | 1.5 | 2.0 | 4.37 | 4.15 | 700 | 0.696 | 75.0 | 4.24 | 2.30 | 3.02 | 0.0138 | 39 |
| Y ₂ 132S-8 | 2.2 | 3.0 | 5.92 | 5.62 | 715 | 0.723 | 78.1 | 5.23 | 2.04 | 2.88 | 0.029 | 62 |
| Y ₂ 132M-8 | 3.0 | 4.0 | 7.56 | 7.18 | 713 | 0.747 | 80.7 | 5.03 | 2.21 | 2.86 | 0.038 | 66 |
| Y ₂ 160MA-8 | 4.0 | 5.5 | 9.71 | 9.22 | 718 | 0.757 | 82.7 | 4.97 | 1.97 | 2.76 | 0.065 | 94 |
| Y ₂ 160MB-8 | 5.5 | 7.5 | 13.3 | 12.7 | 722 | 0.743 | 84.4 | 6.15 | 2.48 | 3.32 | 0.082 | 106 |
| Y ₂ 160L-8 | 7.5 | 10 | 17.0 | 16.2 | 721 | 0.773 | 86.5 | 5.85 | 2.15 | 3.01 | 0.114 | 128 |
| Y ₂ 180M-8 | 11 | 15 | 24.9 | 23.7 | 725 | 0.766 | 87.5 | 6.38 | 2.34 | 2.72 | 0.167 | 170 |
| Y ₂ 200L-8 | 15 | 20 | 33.8 | 32.1 | 731 | 0.756 | 89.3 | 6.26 | 2.19 | 2.81 | 0.325 | 230 |
| Y ₂ 225S-8 | 18.5 | 25 | 40.8 | 38.8 | 733 | 0.762 | 90.4 | 6.65 | 2.25 | 2.82 | 0.481 | 272 |
| Y ₂ 225M-8 | 22 | 30 | 46.1 | 43.8 | 734 | 0.795 | 91.2 | 6.86 | 2.16 | 2.85 | 0.531 | 294 |
| Y ₂ 250M-8 | 30 | 40 | 62.2 | 59.1 | 734 | 0.803 | 91.2 | 5.92 | 2.05 | 2.86 | 0.809 | 370 |
| Y ₂ 280S-8 | 37 | 55 | 75.6 | 71.8 | 736 | 0.812 | 91.6 | 5.58 | 2.13 | 2.56 | 1.381 | 475 |
| Y ₂ 280M-8 | 45 | 60 | 93.3 | 88.6 | 737 | 0.796 | 92.1 | 5.83 | 2.14 | 2.66 | 1.721 | 555 |
| Y ₂ 315S-8 | 55 | 75 | 112 | 106 | 740 | 0.803 | 92.9 | 5.11 | 1.65 | 2.58 | 4.59 | 905 |
| Y ₂ 315M-8 | 75 | 100 | 150 | 143 | 740 | 0.814 | 93.2 | 6.05 | 2.02 | 2.67 | 5.36 | 981 |
| Y ₂ 315LA-8 | 90 | 125 | 179 | 170 | 741 | 0.817 | 93.4 | 6.17 | 2.08 | 2.74 | 6.11 | 1071 |
| Y ₂ 315LB-8 | 110 | 150 | 217 | 206 | 742 | 0.821 | 93.7 | 5.85 | 1.97 | 2.63 | 6.55 | 1160 |
| Y ₂ 355MA-8 | 132 | 180 | 252 | 239 | 744 | 0.841 | 94.6 | 6.62 | 1.88 | 3.11 | 12.9 | 1800 |
| Y ₂ 355MB-8 | 160 | 215 | 298 | 283 | 744 | 0.855 | 95.3 | 5.61 | 1.60 | 2.73 | 14.3 | 1890 |
| Y ₂ 355LA-8 | 180 | 240 | 339 | 322 | 744 | 0.847 | 95.2 | 6.03 | 1.72 | 2.93 | 15.0 | 1970 |
| Y ₂ 355LB-8 | 200 | 270 | 397 | 377 | 743 | 0.805 | 95.2 | 5.87 | 2.08 | 2.54 | 15.9 | 2040 |
| Y ₂ 355XA-8 | 225 | 335 | 449 | 426 | 743 | 0.800 | 95.2 | 6.04 | 2.17 | 2.47 | 17.1 | 2230 |
| Y ₂ 355XB-8 | 250 | 335 | 497 | 472 | 743 | 0.802 | 95.3 | 6.07 | 2.20 | 2.57 | 18.5 | 2410 |
| Y ₂ 355XC-8 | 280 | 375 | 555 | 528 | 743 | 0.803 | 95.4 | 6.05 | 2.20 | 2.54 | 20.1 | 2600 |
| Y ₂ 355XD-8 | 315 | 425 | 626 | 594 | 743 | 0.801 | 95.5 | 6.12 | 2.26 | 2.55 | 21.8 | 2820 |
| Y ₂ 400MA-8 | 250 | 335 | 491 | 472 | 745 | 0.803 | 95.2 | 6.92 | 1.38 | 3.40 | 27.4 | 3350 |
| Y ₂ 400MB-8 | 280 | 375 | 536 | 510 | 745 | 0.833 | 95.2 | 6.47 | 1.34 | 3.31 | 28.9 | 3430 |
| Y ₂ 400L-8 | 315 | 425 | 590 | 560 | 746 | 0.851 | 95.4 | 6.47 | 1.32 | 3.21 | 30.6 | 3650 |
| Y ₂ 400XA-8 | 355 | 475 | 665 | 631 | 744 | 0.848 | 95.7 | 5.79 | 1.17 | 2.92 | 32.4 | 3760 |
| Y ₂ 400XB-8 | 400 | 535 | 748 | 711 | 743 | 0.853 | 95.3 | 5.70 | 1.12 | 2.98 | 34.2 | 3870 |
| Y ₂ 400XC-8 | 450 | 600 | 887 | 842 | 745 | 0.810 | 95.2 | 6.50 | 1.00 | 2.20 | 36.0 | 4000 |
| Y ₂ 450XA-8 | 500 | 670 | 984 | 935 | 746 | 0.803 | 95.7 | 5.96 | 1.20 | 3.13 | 51.2 | 4900 |
| Y ₂ 450XB-8 | 560 | 750 | 1102 | 1047 | 746 | 0.800 | 95.9 | 5.89 | 1.18 | 3.09 | 57.8 | 5150 |
| Y ₂ 450XC-8 | 630 | 840 | 1239 | 1177 | 746 | 0.805 | 96.0 | 5.82 | 1.15 | 2.97 | 64.3 | 5400 |
| Y ₂ 500XA-8 | 710 | 945 | 1382 | 1313 | 746 | 0.813 | 96.0 | 5.46 | 1.58 | 2.69 | 70.1 | 5750 |
| Y ₂ 500XB-8 | 800 | 1080 | #892 | *854 | 746 | 0.816 | 96.1 | 5.34 | 1.54 | 2.52 | 73.2 | 5930 |
| Y ₂ 500XC-8 | 900 | 1200 | #1001 | *957 | 746 | 0.818 | 96.2 | 5.34 | 1.55 | 2.51 | 76.8 | 6150 |
| Y ₂ 560XA-8 | 1000 | 1335 | #1106 | *1058 | 746 | 0.821 | 96.3 | 5.28 | 1.25 | 2.62 | 81.8 | 6850 |
| Y ₂ 560XB-8 | 1120 | 1495 | #1233 | *1180 | 746 | 0.824 | 96.4 | 5.34 | 1.31 | 2.67 | 84.1 | 7050 |
| Y ₂ 560XC-8 | 1250 | 1665 | #1373 | *1314 | 746 | 0.826 | 96.4 | 5.18 | 1.21 | 2.56 | 88.4 | 7310 |

Osservazioni: 1) con “#” i dati di corrente sono riferiti a Volt 660; 2) con “*” i dati di corrente sono riferiti a Volt 690
Remark: 1) with “#”, the current data is of voltage 660V; 2) with “*”, the current data is of voltage 690V.

SPECIFICHE TECNICHE (50HZ) 10 POLI
TECHNICAL SPECIFICATION (50HZ) 10 POLE

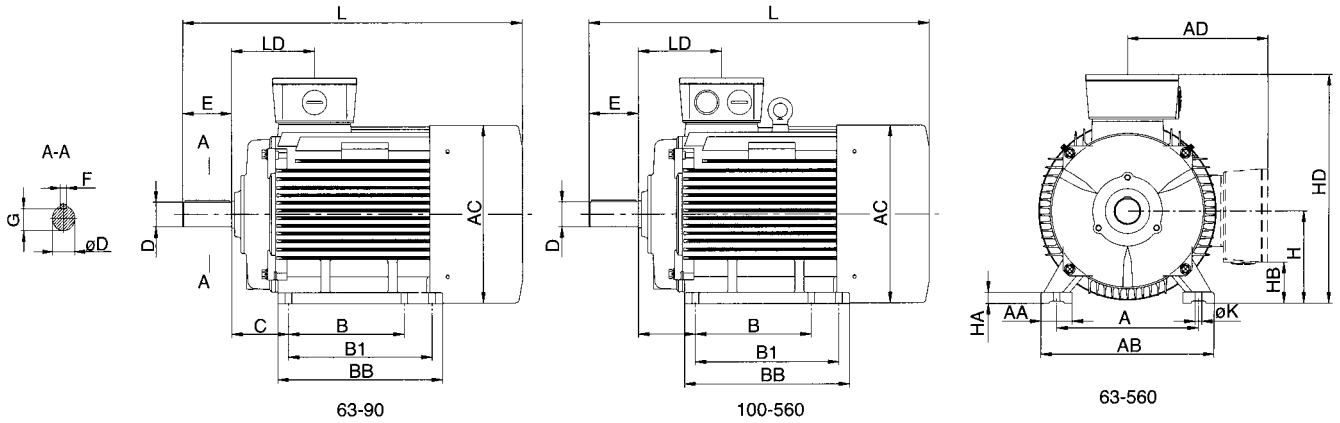
| Motor Type | Rated output | | Full load | | | | | Locked Current | Locked Torque | Break-down Torque | moment of inertia J | weight |
|-------------------------|--------------|------|-----------|------|----------------|----------------------|------------------|----------------|---------------|-------------------|---------------------|--------|
| | | | Current A | | Speed r/min | Power factor COSØ | Efficiency η% | | | | | |
| | kW | HP | 380V | 400V | | | | Rated Current | Rated Torque | Rated Torque | kgm² | kg |
| Y ₂ 80A-10 | 0.09 | 0.12 | 0.64 | 0.60 | 540 | 0.482 | 44.6 | 2.35 | 1.86 | 2.25 | 0.00140 | 20 |
| Y ₂ 80B-10 | 0.12 | 0.16 | 0.79 | 0.75 | 540 | 0.495 | 46.7 | 2.42 | 1.95 | 2.37 | 0.00185 | 21 |
| Y ₂ 90S-10 | 0.18 | 0.24 | 1.00 | 0.95 | 545 | 0.513 | 53.5 | 2.53 | 2.02 | 2.45 | 0.00310 | 25 |
| Y ₂ 90L-10 | 0.25 | 0.33 | 1.37 | 1.30 | 545 | 0.508 | 54.7 | 2.63 | 2.11 | 2.53 | 0.00388 | 26 |
| Y ₂ 100LA-10 | 0.37 | 0.5 | 1.64 | 1.56 | 550 | 0.537 | 63.7 | 2.75 | 2.18 | 2.67 | 0.00640 | 34 |
| Y ₂ 100LB-10 | 0.55 | 0.75 | 2.45 | 2.33 | 550 | 0.531 | 64.2 | 2.82 | 2.35 | 2.90 | 0.00920 | 35 |
| Y ₂ 112M-10 | 0.75 | 1.0 | 3.09 | 2.93 | 550 | 0.546 | 67.6 | 3.05 | 2.18 | 2.76 | 0.01240 | 41 |
| Y ₂ 132S-10 | 1.1 | 1.5 | 4.27 | 4.06 | 555 | 0.553 | 70.8 | 3.21 | 1.76 | 2.86 | 0.01830 | 64 |
| Y ₂ 132MA-10 | 1.5 | 2.0 | 5.65 | 5.37 | 555 | 0.564 | 71.5 | 3.34 | 1.84 | 2.98 | 0.02340 | 68 |
| Y ₂ 132MB-10 | 2.2 | 3.0 | 8.31 | 7.89 | 555 | 0.558 | 72.1 | 3.28 | 1.81 | 2.78 | 0.04350 | 69 |
| Y ₂ 160MA-10 | 3.0 | 4.0 | 10.2 | 9.69 | 560 | 0.578 | 77.3 | 3.45 | 1.65 | 2.76 | 0.05370 | 96 |
| Y ₂ 160MB-10 | 4.0 | 5.5 | 13.2 | 12.5 | 560 | 0.588 | 78.5 | 3.35 | 1.68 | 2.89 | 0.08580 | 108 |
| Y ₂ 160L-10 | 5.5 | 7.5 | 17.7 | 16.8 | 560 | 0.592 | 79.7 | 3.75 | 1.73 | 2.96 | 0.117 | 132 |
| Y ₂ 180L-10 | 7.5 | 10 | 20.2 | 19.2 | 565 | 0.675 | 83.7 | 3.78 | 1.55 | 2.78 | 0.187 | 176 |
| Y ₂ 200LA-10 | 11 | 15 | 25.2 | 23.9 | 570 | 0.765 | 86.7 | 3.90 | 1.14 | 2.12 | 0.247 | 235 |
| Y ₂ 200LB-10 | 15 | 20 | 34.2 | 32.5 | 570 | 0.766 | 87.1 | 4.12 | 1.21 | 2.26 | 0.0288 | 242 |
| Y ₂ 225M-10 | 18.5 | 25 | 40.3 | 38.3 | 580 | 0.777 | 89.7 | 4.77 | 1.39 | 2.34 | 0.258 | 301 |
| Y ₂ 250M-10 | 22 | 30 | 46.8 | 44.5 | 580 | 0.794 | 89.9 | 5.42 | 1.05 | 2.45 | 0.827 | 376 |
| Y ₂ 280S-10 | 30 | 40 | 68.8 | 65.4 | 585 | 0.732 | 90.5 | 4.04 | 1.74 | 2.39 | 1.44 | 491 |
| Y ₂ 280M-10 | 37 | 55 | 84.3 | 80.1 | 585 | 0.735 | 90.7 | 4.16 | 1.82 | 2.43 | 1.66 | 564 |
| Y ₂ 315S-10 | 45 | 60 | 98.3 | 93.4 | 590 | 0.753 | 92.4 | 4.45 | 1.51 | 2.43 | 2.84 | 917 |
| Y ₂ 315M-10 | 55 | 75 | 119 | 113 | 590 | 0.759 | 97.2 | 4.32 | 1.47 | 2.31 | 3.43 | 998 |
| Y ₂ 315LA-10 | 75 | 100 | 162 | 154 | 590 | 0.758 | 92.8 | 4.55 | 1.53 | 2.55 | 3.74 | 1088 |
| Y ₂ 315LB-10 | 90 | 125 | 193 | 184 | 590 | 0.760 | 93.0 | 4.63 | 1.55 | 2.58 | 6.87 | 1177 |
| Y ₂ 355MA-10 | 110 | 150 | 235 | 223 | 590 | 0.765 | 93.1 | 4.59 | 1.44 | 2.44 | 9.4 | 1821 |
| Y ₂ 355MB-10 | 132 | 180 | 282 | 268 | 590 | 0.763 | 93.2 | 4.77 | 1.35 | 2.38 | 9.5 | 1910 |
| Y ₂ 355L-10 | 160 | 215 | 320 | 304 | 590 | 0.803 | 94.7 | 5.57 | 1.24 | 2.39 | 9.6 | 1993 |
| Y ₂ 355XA-10 | 180 | 240 | 360 | 342 | 590 | 0.801 | 94.8 | 5.73 | 1.29 | 2.44 | 11.6 | 2032 |
| Y ₂ 355XB-10 | 200 | 270 | 397 | 377 | 590 | 0.806 | 94.9 | 5.71 | 1.28 | 2.35 | 17.8 | 2142 |
| Y ₂ 355XC-10 | 225 | 300 | 446 | 424 | 590 | 0.807 | 95.0 | 6.07 | 1.39 | 2.34 | 19.4 | 2208 |
| Y ₂ 355XD-10 | 250 | 335 | 493 | 468 | 590 | 0.810 | 95.1 | 5.96 | 1.31 | 2.28 | 21.3 | 2322 |
| Y ₂ 400MA-10 | 200 | 270 | 397 | 377 | 595 | 0.805 | 95.1 | 5.73 | 1.15 | 3.02 | 33.2 | 3150 |
| Y ₂ 400MB-10 | 225 | 300 | 445 | 422 | 595 | 0.807 | 95.3 | 5.60 | 1.06 | 2.92 | 34.8 | 3180 |
| Y ₂ 400L-10 | 250 | 335 | 490 | 466 | 595 | 0.811 | 95.5 | 5.69 | 1.11 | 2.98 | 36.5 | 3220 |
| Y ₂ 400XA-10 | 280 | 375 | 547 | 579 | 595 | 0.814 | 95.6 | 5.81 | 1.12 | 3.05 | 38.4 | 3350 |
| Y ₂ 400XB-10 | 315 | 425 | 612 | 582 | 595 | 0.817 | 95.7 | 5.77 | 1.09 | 3.03 | 40.5 | 3480 |
| Y ₂ 450XA-10 | 355 | 475 | 700 | 665 | 595 | 0.808 | 95.3 | 5.46 | 1.07 | 2.81 | 52.4 | 4960 |
| Y ₂ 450XB-10 | 400 | 535 | 786 | 746 | 595 | 0.810 | 95.5 | 5.29 | 1.02 | 2.70 | 59.2 | 5240 |
| Y ₂ 450XC-10 | 450 | 600 | 889 | 844 | 595 | 0.804 | 95.7 | 5.38 | 1.06 | 2.78 | 66.2 | 5450 |
| Y ₂ 500XA-10 | 500 | 670 | 981 | 932 | 595 | 0.809 | 95.7 | 5.38 | 1.18 | 2.49 | 71.3 | 5730 |
| Y ₂ 500XB-10 | 560 | 750 | 1101 | 1046 | 595 | 0.807 | 95.8 | 5.56 | 1.23 | 2.57 | 74.5 | 5920 |
| Y ₂ 500XC-10 | 630 | 840 | 1232 | 1171 | 595 | 0.810 | 95.9 | 5.42 | 1.20 | 2.49 | 78.5 | 6170 |
| Y ₂ 560XA-10 | 710 | 945 | 1410 | 1340 | 595 | 0.801 | 95.5 | 4.94 | 0.85 | 2.63 | 83.5 | 6880 |
| Y ₂ 560XB-10 | 800 | 1080 | #910 | *870 | 595 | 0.804 | 95.7 | 5.06 | 0.89 | 2.68 | 85.3 | 7080 |
| Y ₂ 560XC-10 | 900 | 1200 | #1020 | *975 | 595 | 0.806 | 95.8 | 5.13 | 0.94 | 2.72 | 90.4 | 7350 |

Osservazioni: 1) con “#” i dati di corrente sono riferiti a Volt 660; 2) con “*” i dati di corrente sono riferiti a Volt 690
Remark: 1) with “#”, the current data is of voltage 660V; 2) with “*”, the current data is of voltage 690V.

SPECIFICHE TECNICHE (50HZ) 12 POLI
TECHNICAL SPECIFICATION (50HZ) 12 POLE

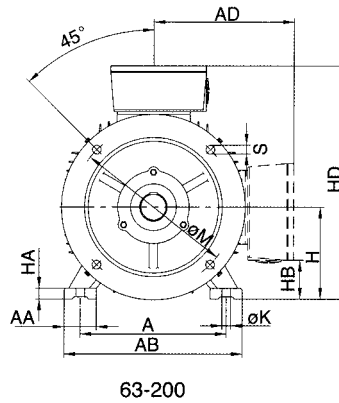
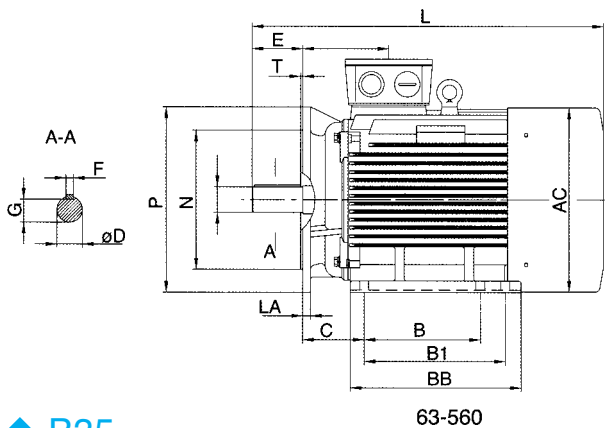
| Motor Type | Rated output | | Full load | | | | | Locked Current | Locked Torque | Break-down Torque | moment of inertia J | weight |
|-------------------------|--------------|------|-----------|------|----------------|----------------------|------------------|----------------|---------------|-------------------|---------------------|--------|
| | | | Current A | | Speed r/min | Power factor COSØ | Efficiency η% | | | | | |
| | kW | HP | 380V | 400V | | | | Rated Current | Rated Torque | Rated Torque | kgm² | kg |
| Y ₂ 90S-12 | 0.18 | 0.24 | 1.31 | 1.24 | 460 | 0.446 | 46.9 | 2.07 | 1.84 | 3.18 | 0.00310 | 25 |
| Y ₂ 90L-12 | 0.25 | 0.33 | 1.71 | 1.63 | 465 | 0.457 | 48.5 | 2.18 | 1.98 | 3.30 | 0.00385 | 26 |
| Y ₂ 100LA-12 | 0.37 | 0.5 | 1.83 | 1.73 | 455 | 0.561 | 54.9 | 2.40 | 1.55 | 2.68 | 0.00634 | 34 |
| Y ₂ 100LB-12 | 0.55 | 0.75 | 2.72 | 2.58 | 460 | 0.546 | 56.3 | 2.64 | 1.60 | 2.82 | 0.00911 | 35 |
| Y ₂ 112M-12 | 0.75 | 1.0 | 3.47 | 3.30 | 465 | 0.543 | 60.4 | 3.28 | 1.46 | 2.67 | 0.01238 | 40.5 |
| Y ₂ 132S-12 | 1.1 | 1.5 | 4.73 | 4.49 | 470 | 0.548 | 64.5 | 3.87 | 1.59 | 2.62 | 0.0231 | 64 |
| Y ₂ 132MA-12 | 1.5 | 2.0 | 6.33 | 6.02 | 470 | 0.551 | 65.3 | 3.74 | 1.53 | 2.54 | 0.0432 | 68 |
| Y ₂ 160M-12 | 2.2 | 3.0 | 8.74 | 8.31 | 475 | 0.547 | 69.9 | 4.88 | 1.61 | 3.23 | 0.0533 | 96 |
| Y ₂ 160L-12 | 3.0 | 4.0 | 11.0 | 12.5 | 480 | 0.543 | 72.2 | 5.09 | 1.67 | 3.43 | 0.0114 | 130 |
| Y ₂ 180L-12 | 4.0 | 5.5 | 13.8 | 13.1 | 480 | 0.583 | 75.6 | 4.88 | 1.92 | 2.86 | 0.128 | 173 |
| Y ₂ 200LA-12 | 5.5 | 7.5 | 15.3 | 14.5 | 480 | 0.656 | 83.4 | 3.76 | 2.21 | 2.55 | 0.146 | 233 |
| Y ₂ 200LB-12 | 7.5 | 10 | 19.5 | 18.5 | 480 | 0.685 | 85.2 | 3.40 | 2.10 | 2.35 | 0.249 | 275 |
| Y ₂ 225M-12 | 11 | 15 | 29.0 | 27.5 | 485 | 0.672 | 85.8 | 3.52 | 1.82 | 2.32 | 0.418 | 298 |
| Y ₂ 250M-12 | 15 | 20 | 39.5 | 37.6 | 485 | 0.664 | 86.8 | 3.74 | 1.78 | 2.29 | 0.807 | 375 |
| Y ₂ 280S-12 | 18.5 | 25 | 46.8 | 44.5 | 485 | 0.673 | 89.2 | 3.90 | 1.72 | 2.21 | 1.26 | 480 |
| Y ₂ 280M-12 | 22 | 30 | 56.6 | 53.8 | 485 | 0.659 | 89.6 | 3.72 | 1.52 | 2.40 | 1.47 | 561 |
| Y ₂ 315S-12 | 30 | 40 | 77.0 | 73.2 | 485 | 0.649 | 91.2 | 4.46 | 1.85 | 2.71 | 2.35 | 912 |
| Y ₂ 315M-12 | 37 | 55 | 95.0 | 90.2 | 485 | 0.652 | 90.8 | 4.52 | 1.83 | 2.74 | 3.07 | 987 |
| Y ₂ 315LA-12 | 45 | 60 | 114 | 108 | 485 | 0.655 | 91.4 | 4.59 | 1.86 | 2.81 | 3.34 | 1080 |
| Y ₂ 315LB-12 | 55 | 75 | 141 | 134 | 485 | 0.648 | 91.2 | 4.63 | 1.88 | 2.89 | 3.62 | 1165 |
| Y ₂ 355MA-12 | 75 | 100 | 173 | 165 | 490 | 0.709 | 92.8 | 4.14 | 1.14 | 2.18 | 4.01 | 1820 |
| Y ₂ 355MB-12 | 90 | 125 | 207 | 196 | 490 | 0.711 | 93.0 | 4.24 | 1.22 | 2.23 | 9.35 | 1900 |
| Y ₂ 355L-12 | 110 | 150 | 252 | 239 | 490 | 0.713 | 93.2 | 4.19 | 1.18 | 2.25 | 10.4 | 1975 |
| Y ₂ 355XA-12 | 132 | 180 | 297 | 282 | 495 | 0.720 | 93.9 | 4.38 | 1.05 | 2.18 | 13.2 | 2035 |
| Y ₂ 355XB-12 | 160 | 215 | 360 | 342 | 495 | 0.718 | 94.1 | 4.45 | 1.08 | 2.21 | 15.8 | 2145 |
| Y ₂ 355XC-12 | 180 | 240 | 402 | 382 | 495 | 0.722 | 94.2 | 4.43 | 1.06 | 2.18 | 18.5 | 2210 |
| Y ₂ 400MA-12 | 132 | 180 | 286 | 272 | 495 | 0.741 | 94.5 | 4.88 | 1.02 | 2.28 | 28.2 | 3040 |
| Y ₂ 400MB-12 | 160 | 215 | 344 | 327 | 495 | 0.746 | 94.7 | 4.82 | 0.99 | 2.22 | 29.8 | 3120 |
| Y ₂ 400L-12 | 180 | 240 | 391 | 372 | 495 | 0.739 | 94.6 | 4.84 | 1.01 | 2.25 | 31.7 | 3220 |
| Y ₂ 400XA-12 | 200 | 270 | 431 | 409 | 495 | 0.744 | 94.8 | 4.95 | 1.08 | 2.34 | 33.8 | 3330 |
| Y ₂ 400XB-12 | 225 | 300 | 489 | 465 | 495 | 0.738 | 94.7 | 4.78 | 0.98 | 2.19 | 36.9 | 3450 |
| Y ₂ 450XA-12 | 250 | 335 | 533 | 506 | 495 | 0.751 | 94.9 | 4.73 | 0.96 | 2.34 | 50.5 | 4980 |
| Y ₂ 450XB-12 | 280 | 375 | 599 | 569 | 495 | 0.748 | 95.0 | 4.68 | 0.94 | 2.28 | 57.8 | 5260 |
| Y ₂ 450XC-12 | 315 | 425 | 668 | 634 | 495 | 0.756 | 94.8 | 4.78 | 0.98 | 2.30 | 64.5 | 5520 |
| Y ₂ 500XA-12 | 355 | 475 | 739 | 702 | 495 | 0.767 | 95.1 | 4.95 | 0.90 | 2.41 | 69.2 | 5760 |
| Y ₂ 500XB-12 | 400 | 535 | 840 | 798 | 495 | 0.760 | 95.2 | 4.83 | 0.86 | 2.48 | 72.2 | 5940 |
| Y ₂ 500XC-12 | 450 | 600 | 946 | 898 | 495 | 0.758 | 95.4 | 4.90 | 0.88 | 2.44 | 76.4 | 6150 |
| Y ₂ 560XA-12 | 500 | 670 | 1027 | 976 | 495 | 0.777 | 95.2 | 4.54 | 0.84 | 2.38 | 81.1 | 6770 |
| Y ₂ 560XB-12 | 560 | 750 | 1157 | 1099 | 495 | 0.771 | 95.4 | 4.62 | 0.82 | 2.41 | 83.2 | 6930 |
| Y ₂ 560XC-12 | 630 | 840 | 1294 | 1229 | 495 | 0.774 | 95.6 | 4.60 | 0.81 | 2.40 | 88.0 | 7200 |

Osservazioni: 1) con “#” i dati di corrente sono riferiti a Volt 660; 2) con “*” i dati di corrente sono riferiti a Volt 690
 Remark: 1) with “#”, the current data is of voltage 660V; 2) with “*”, the current data is of voltage 690V.

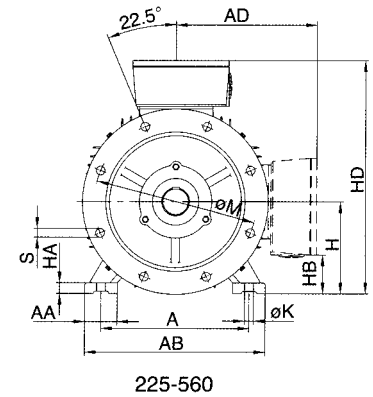


◆ B3

| Frame size | Pole | Mounting dimensions (mm) | | | | | | | | | | | | | Overall dimensions (mm) | | | | | | | | | |
|------------|-------|--------------------------|------|------|------|------|-----|-----|-----|----|------|-----|----|------|-------------------------|-----|------|------|-----|----|-----|-----|------|--|
| | | A | B | B1 | B2 | B3 | C | D | E | F | G | H | K | AB | AC | AD | HD | BB | LD | HA | HB | AA | L | |
| 63M | 2.4 | 100 | 80 | / | / | / | 40 | 11 | 23 | 4 | 8.5 | 63 | 7 | 135 | 125 | / | 185 | 110 | 65 | 10 | / | 30 | 225 | |
| 71M | 2.4.6 | 112 | 90 | / | / | / | 45 | 14 | 30 | 5 | 11 | 71 | 7 | 145 | 140 | / | 200 | 120 | 70 | 10 | / | 32 | 250 | |
| 80M | 2-12 | 125 | 100 | / | / | / | 50 | 19 | 40 | 6 | 15.5 | 80 | 10 | 160 | 160 | 145 | 225 | 130 | 100 | 12 | 35 | 35 | 280 | |
| 90S | 2-12 | 140 | 100 | / | / | / | 56 | 24 | 50 | 8 | 20 | 90 | 10 | 180 | 175 | 155 | 245 | 140 | 105 | 12 | 50 | 35 | 315 | |
| 90L | 2-12 | 140 | 125 | / | / | / | 56 | 24 | 50 | 8 | 20 | 90 | 10 | 180 | 175 | 155 | 245 | 165 | 120 | 12 | 50 | 35 | 340 | |
| 100L | 2-12 | 160 | 140 | / | / | / | 63 | 28 | 60 | 8 | 24 | 100 | 12 | 200 | 200 | 180 | 270 | 175 | 130 | 14 | 55 | 40 | 375 | |
| 112M | 2-12 | 190 | 140 | / | / | / | 70 | 28 | 60 | 8 | 24 | 112 | 12 | 230 | 225 | 190 | 305 | 180 | 145 | 17 | 60 | 45 | 400 | |
| 132S | 2-12 | 216 | 140 | / | / | / | 89 | 38 | 80 | 10 | 33 | 132 | 12 | 265 | 260 | 210 | 345 | 190 | 165 | 18 | 65 | 55 | 465 | |
| 132M | 2-12 | 216 | 178 | / | / | / | 89 | 38 | 80 | 10 | 33 | 132 | 12 | 265 | 260 | 210 | 345 | 230 | 185 | 18 | 65 | 55 | 505 | |
| 160M | 2-12 | 254 | 210 | / | / | / | 108 | 42 | 110 | 12 | 37 | 160 | 15 | 315 | 315 | 260 | 415 | 260 | 212 | 20 | 80 | 65 | 600 | |
| 160L | 2-12 | 254 | 254 | / | / | / | 108 | 42 | 110 | 12 | 37 | 160 | 15 | 315 | 315 | 260 | 415 | 300 | 212 | 20 | 80 | 65 | 640 | |
| 180M | 2.4 | 279 | 241 | / | / | / | 121 | 48 | 110 | 14 | 42.5 | 180 | 15 | 350 | 360 | 280 | 455 | 310 | 240 | 22 | 105 | 70 | 690 | |
| 180L | 4-12 | 279 | 279 | / | / | / | 121 | 48 | 110 | 14 | 42.5 | 180 | 15 | 350 | 360 | 280 | 455 | 350 | 240 | 22 | 105 | 70 | 730 | |
| 200L | 2-12 | 318 | 305 | / | / | / | 133 | 55 | 110 | 16 | 49 | 200 | 19 | 390 | 400 | 305 | 505 | 370 | 185 | 25 | 85 | 70 | 760 | |
| 225S | 4.8 | 356 | 286 | / | / | / | 149 | 60 | 140 | 18 | 53 | 225 | 19 | 435 | 450 | 335 | 550 | 370 | 195 | 28 | 110 | 75 | 810 | |
| 225M | 2 | 356 | 311 | / | / | / | 149 | 55 | 110 | 16 | 49 | 225 | 19 | 435 | 450 | 335 | 550 | 395 | 195 | 28 | 110 | 75 | 805 | |
| | 4-12 | 356 | 311 | / | / | / | 149 | 60 | 140 | 18 | 53 | 225 | 19 | 435 | 450 | 335 | 550 | 395 | 195 | 28 | 110 | 75 | 835 | |
| 250M | 2 | 406 | 349 | / | / | / | 168 | 60 | 140 | 18 | 53 | 250 | 24 | 485 | 490 | 365 | 620 | 445 | 215 | 30 | 120 | 80 | 910 | |
| | 4-12 | 406 | 349 | / | / | / | 168 | 65 | 140 | 18 | 58 | 250 | 24 | 485 | 490 | 365 | 620 | 445 | 215 | 30 | 120 | 80 | 910 | |
| 280S | 2 | 457 | 368 | / | / | / | 190 | 65 | 140 | 18 | 58 | 280 | 24 | 545 | 550 | 400 | 675 | 490 | 215 | 35 | 140 | 85 | 985 | |
| | 4-12 | 457 | 368 | / | / | / | 190 | 75 | 140 | 20 | 67.5 | 280 | 24 | 545 | 550 | 400 | 675 | 490 | 215 | 35 | 140 | 85 | 985 | |
| 280M | 2 | 457 | 419 | / | / | / | 190 | 65 | 140 | 18 | 58 | 280 | 24 | 545 | 550 | 400 | 675 | 540 | 215 | 35 | 140 | 85 | 1035 | |
| | 4-12 | 457 | 419 | / | / | / | 190 | 75 | 140 | 20 | 67.5 | 280 | 24 | 545 | 550 | 400 | 675 | 540 | 215 | 35 | 140 | 85 | 1035 | |
| 315S | 2 | 508 | 406 | / | / | / | 216 | 65 | 140 | 18 | 58 | 315 | 28 | 630 | 625 | 555 | 865 | 570 | 250 | 49 | 110 | 120 | 1190 | |
| | 4-12 | 508 | 406 | / | / | / | 216 | 80 | 170 | 22 | 71 | 315 | 28 | 630 | 625 | 555 | 865 | 570 | 250 | 49 | 110 | 120 | 1220 | |
| 315M/L | 2 | 508 | 457 | 508 | / | / | 216 | 65 | 140 | 18 | 58 | 315 | 28 | 630 | 625 | 555 | 865 | 680 | 250 | 49 | 110 | 120 | 1300 | |
| | 4-12 | 508 | 457 | 508 | / | / | 216 | 80 | 170 | 22 | 71 | 315 | 28 | 630 | 625 | 555 | 865 | 680 | 250 | 49 | 110 | 120 | 1330 | |
| 355M/L | 2 | 610 | 500 | 560 | 630 | / | 254 | 75 | 140 | 20 | 67.5 | 355 | 28 | 730 | 710 | / | 1010 | 750 | 330 | 52 | / | 120 | 1525 | |
| | 4-12 | 610 | 500 | 560 | 630 | / | 254 | 100 | 210 | 25 | 86 | 355 | 28 | 730 | 710 | / | 1010 | 750 | 330 | 52 | / | 120 | 1565 | |
| 355X | 2 | 610 | 630 | 710 | 800 | / | 254 | 75 | 140 | 20 | 67.5 | 355 | 35 | 760 | 780 | / | 1060 | 1140 | 330 | 52 | / | 135 | 1905 | |
| | 4-12 | 610 | 630 | 710 | 800 | / | 254 | 100 | 210 | 25 | 86 | 355 | 35 | 760 | 780 | / | 1060 | 1140 | 330 | 52 | / | 135 | 1955 | |
| 400 | 2 | 686 | 710 | 800 | 900 | / | 280 | 80 | 170 | 22 | 71 | 400 | 35 | 810 | 810 | / | 1075 | 1250 | 360 | 45 | / | 120 | 2050 | |
| | 4-12 | 686 | 710 | 800 | 900 | / | 280 | 110 | 210 | 28 | 71 | 400 | 35 | 810 | 810 | / | 1075 | 1250 | 360 | 45 | / | 120 | 2090 | |
| 450 | 2 | 800 | 900 | 1000 | 1120 | 1250 | 280 | 95 | 170 | 25 | 86 | 450 | 35 | 980 | 1030 | / | 1310 | 1495 | 440 | 45 | / | 170 | 2400 | |
| | 4-12 | 800 | 900 | 1000 | 1120 | 1250 | 280 | 120 | 210 | 32 | 109 | 450 | 35 | 980 | 1030 | / | 1310 | 1495 | 440 | 45 | / | 170 | 2400 | |
| 500 | 4-12 | 900 | 1120 | / | / | / | 315 | 140 | 250 | 36 | 128 | 500 | 42 | 1080 | 1100 | / | 1360 | 1600 | 420 | 65 | / | 180 | 2650 | |
| | 4-12 | 1000 | 1400 | / | / | / | 355 | 160 | 300 | 40 | 147 | 560 | 42 | 1170 | 1200 | / | 1480 | 1680 | 410 | 75 | / | 210 | 2700 | |



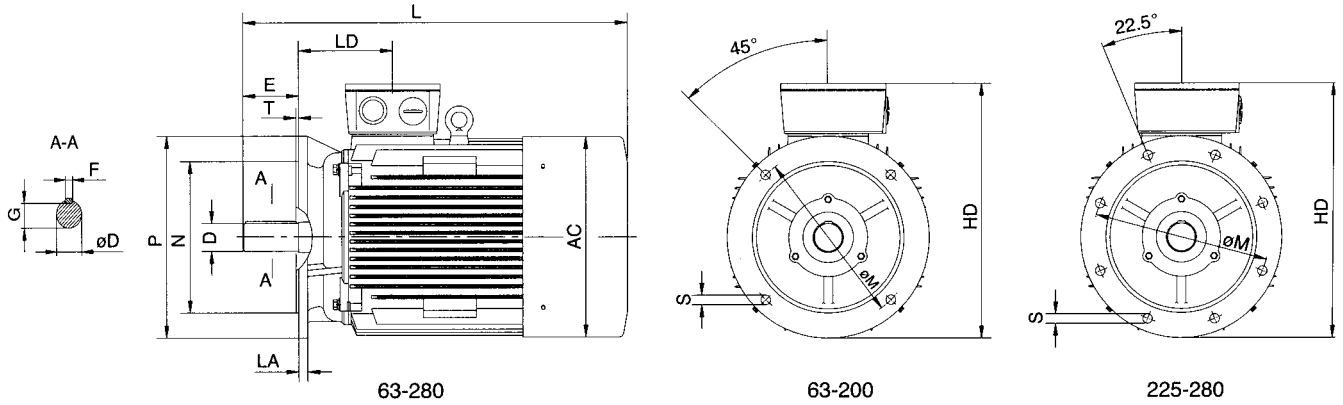
63-200



225-560

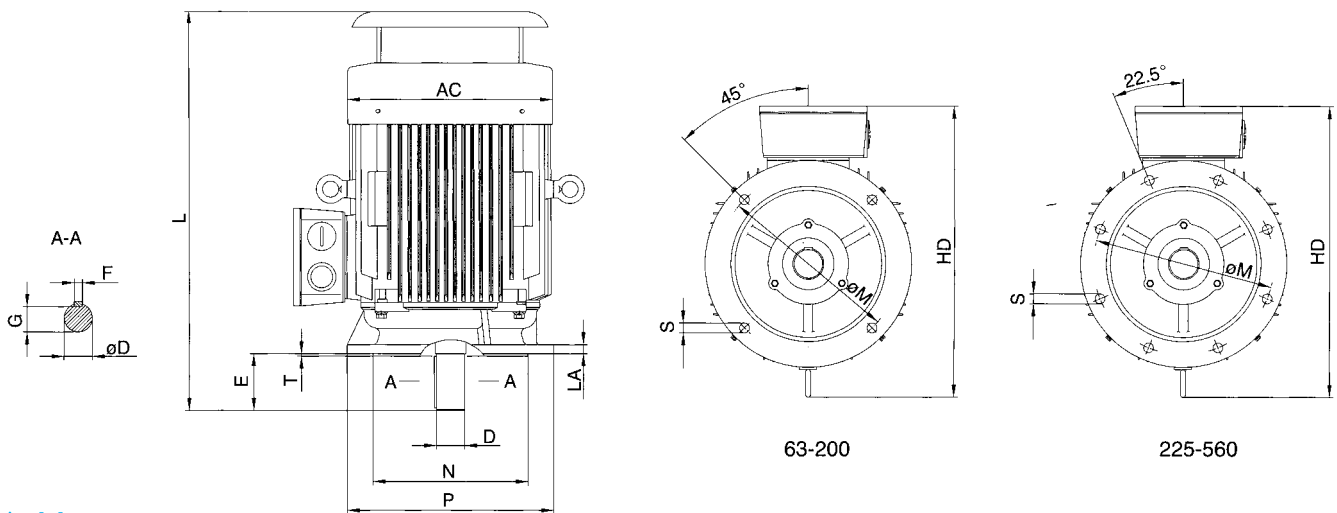
◆ B35

| Frame size | Pole | Mounting dimensions (mm) | | | | | | | | | | | | | | | | | Overall dimensions (mm) | | | | |
|------------|-------|--------------------------|------|------|------|------|-----|-----|-----|----|------|-----|----|------|------|------|--------------|---|-------------------------|------|-----|------|------|
| | | A | B | B1 | B2 | B3 | C | D | E | F | G | H | K | M | N | P | S | T | AB | AC | AD | HD | L |
| 63M | 2.4 | 100 | 80 | / | / | / | 40 | 11 | 23 | 4 | 8.5 | 63 | 7 | 115 | 95 | 140 | 4- ϕ 10 | 4 | 135 | 125 | / | 185 | 225 |
| 71M | 2.4.6 | 112 | 90 | / | / | / | 45 | 14 | 30 | 5 | 11 | 71 | 7 | 130 | 110 | 160 | 4- ϕ 10 | 4 | 150 | 140 | / | 200 | |
| 80M | 2-12 | 125 | 100 | / | / | / | 50 | 19 | 40 | 6 | 15.5 | 80 | 10 | 165 | 130 | 200 | 4- ϕ 12 | 4 | 160 | 160 | 145 | 225 | 280 |
| 90S | 2-12 | 140 | 100 | / | / | / | 56 | 24 | 50 | 8 | 20 | 90 | 10 | 165 | 130 | 200 | 4- ϕ 12 | 4 | 180 | 175 | 155 | 245 | 315 |
| 90L | 2-12 | 140 | 125 | / | / | / | 56 | 24 | 50 | 8 | 20 | 90 | 10 | 165 | 130 | 250 | 4- ϕ 12 | 4 | 180 | 175 | 155 | 245 | 340 |
| 100L | 2-12 | 160 | 140 | / | / | / | 63 | 28 | 60 | 8 | 24 | 100 | 12 | 215 | 180 | 250 | 4- ϕ 15 | 4 | 200 | 200 | 180 | 270 | 375 |
| 112M | 2-12 | 190 | 140 | / | / | / | 70 | 28 | 60 | 8 | 24 | 112 | 12 | 215 | 180 | 250 | 4- ϕ 15 | 4 | 230 | 225 | 190 | 305 | 400 |
| 132S | 2-12 | 216 | 140 | / | / | / | 89 | 38 | 80 | 10 | 33 | 132 | 12 | 265 | 230 | 300 | 4- ϕ 15 | 4 | 265 | 260 | 210 | 345 | 465 |
| 132M | 2-12 | 216 | 178 | / | / | / | 89 | 38 | 80 | 10 | 33 | 132 | 12 | 265 | 230 | 300 | 4- ϕ 15 | 4 | 265 | 260 | 210 | 345 | 505 |
| 160M | 2-12 | 254 | 210 | / | / | / | 108 | 42 | 110 | 12 | 37 | 160 | 15 | 300 | 250 | 350 | 4- ϕ 19 | 5 | 315 | 315 | 260 | 415 | 600 |
| 160L | 2-12 | 254 | 254 | / | / | / | 108 | 42 | 110 | 12 | 37 | 160 | 15 | 300 | 250 | 350 | 4- ϕ 19 | 5 | 315 | 315 | 260 | 415 | 640 |
| 180M | 2.4 | 279 | 241 | / | / | / | 121 | 48 | 110 | 14 | 42.5 | 180 | 15 | 300 | 250 | 350 | 4- ϕ 19 | 5 | 350 | 360 | 280 | 455 | 690 |
| 180L | 4-12 | 279 | 279 | / | / | / | 121 | 48 | 110 | 14 | 42.5 | 180 | 15 | 300 | 250 | 350 | 4- ϕ 19 | 5 | 350 | 360 | 280 | 455 | 730 |
| 200L | 2-12 | 318 | 305 | / | / | / | 133 | 55 | 110 | 16 | 49 | 200 | 19 | 350 | 300 | 400 | 4- ϕ 19 | 5 | 390 | 400 | 305 | 505 | 760 |
| 225S | 4.8 | 356 | 286 | / | / | / | 149 | 60 | 140 | 18 | 53 | 225 | 19 | 400 | 350 | 450 | 8- ϕ 19 | 5 | 435 | 450 | 335 | 550 | 810 |
| 225M | 2 | 356 | 311 | / | / | / | 149 | 55 | 110 | 16 | 49 | 225 | 19 | 400 | 350 | 450 | 8- ϕ 19 | 5 | 435 | 450 | 335 | 550 | 805 |
| | 4-12 | 356 | 311 | / | / | / | 149 | 60 | 140 | 18 | 53 | 225 | 19 | 400 | 350 | 450 | 8- ϕ 19 | 5 | 435 | 450 | 335 | 550 | 835 |
| 250M | 2 | 406 | 349 | / | / | / | 168 | 60 | 140 | 18 | 53 | 250 | 24 | 500 | 450 | 550 | 8- ϕ 19 | 5 | 485 | 490 | 365 | 620 | 910 |
| | 4-12 | 406 | 349 | / | / | / | 168 | 65 | 140 | 18 | 58 | 250 | 24 | 500 | 450 | 550 | 8- ϕ 19 | 5 | 485 | 490 | 365 | 620 | 910 |
| 280S | 2 | 457 | 368 | / | / | / | 190 | 65 | 140 | 18 | 58 | 280 | 24 | 500 | 450 | 550 | 8- ϕ 19 | 5 | 545 | 550 | 400 | 675 | 985 |
| | 4-12 | 457 | 368 | / | / | / | 190 | 75 | 140 | 20 | 67.5 | 280 | 24 | 500 | 450 | 550 | 8- ϕ 19 | 5 | 545 | 550 | 400 | 675 | 985 |
| 280M | 2 | 457 | 419 | / | / | / | 190 | 65 | 140 | 18 | 58 | 280 | 24 | 500 | 450 | 550 | 8- ϕ 19 | 5 | 545 | 550 | 400 | 675 | 1035 |
| | 4-12 | 457 | 419 | / | / | / | 190 | 75 | 140 | 20 | 67.5 | 280 | 24 | 500 | 450 | 550 | 8- ϕ 19 | 5 | 545 | 550 | 400 | 675 | 1035 |
| 315S | 2 | 508 | 406 | / | / | / | 216 | 65 | 140 | 18 | 58 | 315 | 28 | 600 | 550 | 660 | 8- ϕ 24 | 6 | 630 | 625 | 555 | 865 | 1190 |
| | 4-12 | 508 | 406 | / | / | / | 216 | 80 | 170 | 22 | 71 | 315 | 28 | 600 | 550 | 660 | 8- ϕ 24 | 6 | 630 | 625 | 555 | 865 | 1220 |
| 315M/L | 2 | 508 | 457 | 508 | / | / | 216 | 65 | 140 | 18 | 58 | 315 | 28 | 600 | 550 | 660 | 8- ϕ 24 | 6 | 630 | 625 | 555 | 865 | 1300 |
| | 4-12 | 508 | 457 | 508 | / | / | 216 | 80 | 170 | 22 | 71 | 315 | 28 | 600 | 550 | 660 | 8- ϕ 24 | 6 | 630 | 625 | 555 | 865 | 1330 |
| 355M/L | 2 | 610 | 500 | 560 | / | / | 254 | 75 | 140 | 20 | 67.5 | 355 | 28 | 740 | 680 | 800 | 8- ϕ 24 | 6 | 730 | 710 | / | 1010 | 1525 |
| | 4-12 | 610 | 500 | 560 | / | / | 254 | 100 | 210 | 25 | 86 | 355 | 28 | 740 | 680 | 800 | 8- ϕ 24 | 6 | 730 | 710 | / | 1010 | 1565 |
| 355X | 2 | 610 | 630 | 710 | 800 | / | 254 | 75 | 140 | 20 | 67.5 | 355 | 35 | 740 | 680 | 800 | 8- ϕ 24 | 6 | 760 | 780 | / | 1060 | 1905 |
| | 4-12 | 610 | 630 | 710 | 800 | / | 254 | 100 | 210 | 25 | 86 | 355 | 35 | 740 | 680 | 800 | 8- ϕ 24 | 6 | 760 | 780 | / | 1060 | 1945 |
| 400 | 2 | 686 | 710 | 800 | 900 | / | 280 | 80 | 170 | 22 | 71 | 400 | 35 | 940 | 880 | 1000 | 8- ϕ 28 | 6 | 810 | 810 | / | 1075 | 2050 |
| | 4-12 | 686 | 710 | 800 | 900 | / | 280 | 110 | 210 | 28 | 100 | 400 | 35 | 940 | 880 | 1000 | 8- ϕ 28 | 6 | 810 | 810 | / | 1075 | 2090 |
| 450 | 2 | 800 | 900 | 1000 | 1120 | 1250 | 280 | 95 | 170 | 25 | 86 | 450 | 35 | 940 | 880 | 1000 | 8- ϕ 28 | 6 | 980 | 1030 | / | 1310 | 2400 |
| | 4-12 | 800 | 900 | 1000 | 1120 | 1250 | 280 | 120 | 210 | 32 | 109 | 450 | 35 | 940 | 880 | 1000 | 8- ϕ 28 | 6 | 980 | 1030 | / | 1310 | 2400 |
| 500 | 4-12 | 900 | 1120 | / | / | / | 315 | 140 | 250 | 36 | 128 | 500 | 42 | 1080 | 1000 | 1150 | 8- ϕ 28 | 6 | 1080 | 1100 | / | 1360 | 2650 |
| 560 | 4-12 | 1000 | 1400 | / | / | / | 355 | 160 | 300 | 40 | 147 | 560 | 42 | 1180 | 1120 | 1250 | 8- ϕ 28 | 6 | 1170 | 1200 | / | 1480 | 2700 |



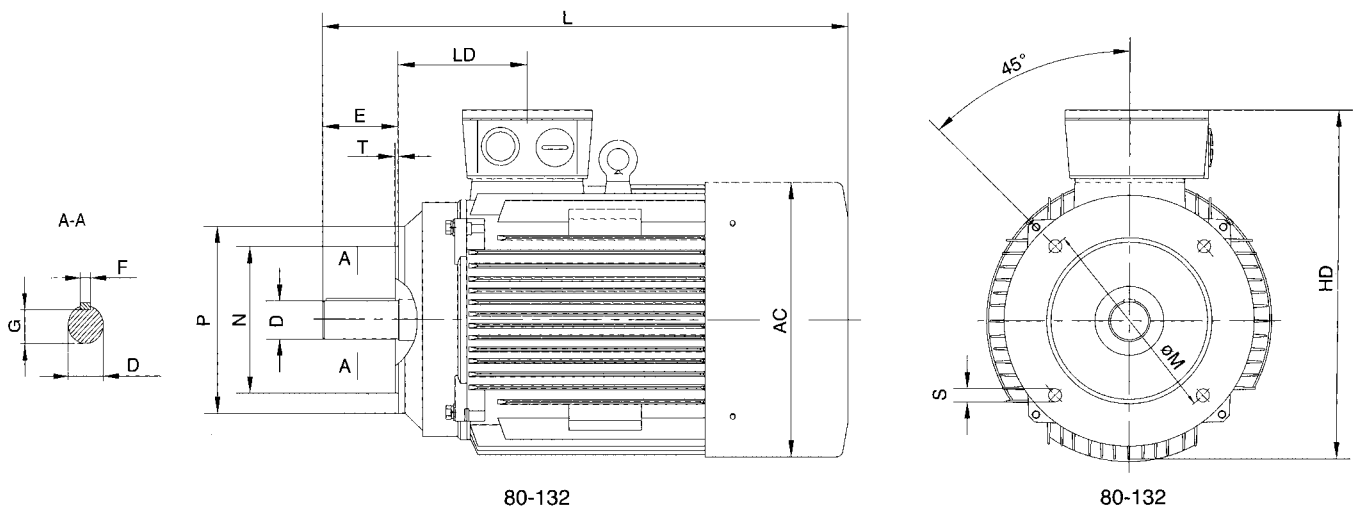
◆ B5

| Frame size | Pole | Mounting dimensions (mm) | | | | | | | | | | Overall dimensions (mm) | | |
|------------|-------|--------------------------|-----|----|------|-----|-----|-----|-----|-------|---|-------------------------|-----|------|
| | | D | E | F | G | H | M | N | P | S | T | AC | HD | L |
| 63M | 2.4 | 11 | 23 | 4 | 8.5 | 63 | 115 | 95 | 140 | 4-ø10 | 4 | 125 | 185 | 225 |
| 71M | 2.4.6 | 14 | 30 | 5 | 11 | 71 | 130 | 110 | 160 | 4-ø10 | 4 | 140 | 200 | 250 |
| 80M | 2-12 | 19 | 40 | 6 | 15.5 | 80 | 165 | 130 | 200 | 4-ø12 | 4 | 160 | 245 | 280 |
| 90S | 2-12 | 24 | 50 | 8 | 20 | 90 | 165 | 130 | 200 | 4-ø12 | 4 | 175 | 255 | 315 |
| 90L | 2-12 | 24 | 50 | 8 | 20 | 90 | 165 | 130 | 200 | 4-ø12 | 4 | 175 | 255 | 340 |
| 100L | 2-12 | 28 | 60 | 8 | 24 | 100 | 215 | 180 | 250 | 4-ø15 | 4 | 200 | 290 | 375 |
| 112M | 2-12 | 28 | 60 | 8 | 24 | 112 | 215 | 180 | 250 | 4-ø15 | 4 | 225 | 310 | 400 |
| 132S | 2-12 | 38 | 80 | 10 | 33 | 132 | 265 | 230 | 300 | 4-ø15 | 4 | 260 | 365 | 465 |
| 132M | 2-12 | 38 | 80 | 10 | 33 | 132 | 265 | 230 | 300 | 4-ø15 | 4 | 260 | 365 | 505 |
| 160M | 2-12 | 42 | 110 | 12 | 37 | 160 | 300 | 250 | 350 | 4-ø19 | 5 | 315 | 425 | 600 |
| 160L | 2-12 | 42 | 110 | 12 | 37 | 160 | 300 | 250 | 350 | 4-ø19 | 5 | 315 | 425 | 640 |
| 180M | 2.4 | 48 | 110 | 14 | 42.5 | 180 | 300 | 250 | 350 | 4-ø19 | 5 | 360 | 450 | 690 |
| 180L | 4-12 | 48 | 110 | 14 | 42.5 | 180 | 300 | 250 | 350 | 4-ø19 | 5 | 360 | 450 | 730 |
| 200L | 2-12 | 55 | 110 | 16 | 49 | 200 | 350 | 300 | 400 | 4-ø19 | 5 | 400 | 505 | 760 |
| 225S | 4.8 | 60 | 140 | 18 | 53 | 225 | 400 | 350 | 450 | 8-ø19 | 5 | 450 | 550 | 810 |
| 225M | 2 | 55 | 110 | 16 | 49 | 225 | 400 | 350 | 450 | 8-ø19 | 5 | 450 | 550 | 805 |
| | 4-12 | 60 | 140 | 18 | 53 | 225 | 400 | 350 | 450 | 8-ø19 | 5 | 450 | 550 | 835 |
| 250M | 2 | 60 | 140 | 18 | 53 | 250 | 500 | 450 | 550 | 8-ø19 | 5 | 490 | 645 | 910 |
| | 4-12 | 65 | 140 | 18 | 58 | 250 | 500 | 450 | 550 | 8-ø19 | 5 | 490 | 645 | 910 |
| 280S | 2 | 65 | 140 | 18 | 58 | 280 | 500 | 450 | 550 | 8-ø19 | 5 | 550 | 665 | 985 |
| | 4-12 | 65 | 140 | 20 | 67.5 | 280 | 500 | 450 | 550 | 8-ø19 | 5 | 550 | 665 | 985 |
| 280M | 2 | 65 | 140 | 18 | 58 | 280 | 500 | 450 | 550 | 8-ø19 | 5 | 550 | 665 | 1035 |
| | 4-12 | 75 | 140 | 20 | 67.5 | 280 | 500 | 450 | 550 | 8-ø19 | 5 | 550 | 665 | 1035 |



◆ V1

| Frame size | Pole | Mounting dimensions (mm) | | | | | | | | | | Overall dimensions (mm) | | |
|------------|-------|--------------------------|-----|----|------|-----|------|------|------|-------|---|-------------------------|------|------|
| | | D | E | F | G | H | M | N | P | S | T | AC | HD | L |
| 63M | 2.4 | 11 | 23 | 4 | 8.5 | 63 | 115 | 95 | 140 | 4-ø10 | 4 | 125 | 185 | 250 |
| 71M | 2.4.6 | 14 | 30 | 5 | 11 | 71 | 130 | 110 | 160 | 4-ø10 | 4 | 140 | 200 | 275 |
| 80M | 2-12 | 19 | 40 | 6 | 15.5 | 80 | 165 | 130 | 200 | 4-ø12 | 4 | 160 | 245 | 305 |
| 90S | 2-12 | 24 | 50 | 8 | 20 | 90 | 165 | 130 | 200 | 4-ø12 | 4 | 175 | 255 | 345 |
| 90L | 2-12 | 24 | 50 | 8 | 20 | 90 | 165 | 130 | 200 | 4-ø12 | 4 | 175 | 255 | 370 |
| 100L | 2-12 | 28 | 60 | 8 | 24 | 100 | 215 | 180 | 250 | 4-ø15 | 4 | 200 | 290 | 410 |
| 112M | 2-12 | 28 | 60 | 8 | 24 | 112 | 215 | 180 | 250 | 4-ø15 | 4 | 225 | 310 | 450 |
| 132S | 2-12 | 38 | 80 | 10 | 33 | 132 | 265 | 230 | 300 | 4-ø15 | 4 | 260 | 365 | 510 |
| 132M | 2-12 | 38 | 80 | 10 | 33 | 132 | 265 | 230 | 300 | 4-ø15 | 4 | 260 | 365 | 550 |
| 160M | 2-12 | 42 | 110 | 12 | 37 | 160 | 300 | 250 | 350 | 4-ø19 | 5 | 315 | 435 | 650 |
| 160L | 2-12 | 42 | 110 | 12 | 37 | 160 | 300 | 250 | 350 | 4-ø19 | 5 | 315 | 435 | 690 |
| 180M | 2.4 | 48 | 110 | 14 | 42.5 | 180 | 300 | 250 | 350 | 4-ø19 | 5 | 360 | 515 | 750 |
| 180L | 4-12 | 48 | 110 | 14 | 42.5 | 180 | 300 | 250 | 350 | 4-ø19 | 5 | 360 | 515 | 790 |
| 200L | 2-12 | 55 | 110 | 16 | 49 | 200 | 350 | 300 | 400 | 4-ø19 | 5 | 400 | 560 | 840 |
| 225S | 4.8 | 60 | 140 | 18 | 53 | 225 | 400 | 350 | 450 | 8-ø19 | 5 | 450 | 610 | 905 |
| 225M | 2 | 55 | 110 | 16 | 49 | 225 | 400 | 350 | 450 | 8-ø19 | 5 | 450 | 610 | 910 |
| | 4-12 | 60 | 140 | 18 | 53 | 225 | 400 | 350 | 450 | 8-ø19 | 5 | 450 | 610 | 935 |
| 250M | 2 | 60 | 140 | 18 | 53 | 250 | 500 | 450 | 550 | 8-ø19 | 5 | 490 | 690 | 995 |
| | 4-12 | 65 | 140 | 18 | 53 | 250 | 500 | 450 | 550 | 8-ø19 | 5 | 490 | 690 | 995 |
| 280S | 2 | 65 | 140 | 18 | 53 | 280 | 500 | 450 | 550 | 8-ø19 | 5 | 550 | 750 | 1070 |
| | 4-12 | 75 | 140 | 20 | 67.5 | 280 | 500 | 450 | 550 | 8-ø19 | 5 | 550 | 750 | 1070 |
| 280M | 2 | 65 | 140 | 18 | 58 | 280 | 500 | 450 | 550 | 8-ø19 | 5 | 550 | 750 | 1120 |
| | 4-12 | 75 | 140 | 20 | 67.5 | 280 | 500 | 450 | 550 | 8-ø19 | 5 | 550 | 750 | 1120 |
| 315S | 2 | 65 | 140 | 18 | 58 | 315 | 600 | 550 | 660 | 8-ø24 | 6 | 625 | 985 | 1340 |
| | 4-12 | 80 | 170 | 22 | 71 | 315 | 600 | 550 | 660 | 8-ø24 | 6 | 625 | 985 | 1370 |
| 315M/L | 2 | 65 | 140 | 18 | 58 | 315 | 600 | 550 | 660 | 8-ø24 | 6 | 625 | 985 | 1450 |
| | 4-12 | 80 | 170 | 22 | 71 | 315 | 600 | 550 | 660 | 8-ø24 | 6 | 625 | 985 | 1480 |
| 355M/L | 2 | 75 | 140 | 20 | 67.5 | 355 | 740 | 680 | 800 | 8-ø24 | 6 | 710 | 1145 | 1665 |
| | 4-12 | 95 | 170 | 25 | 86 | 355 | 740 | 680 | 800 | 8-ø24 | 6 | 710 | 1145 | 1700 |
| 355X | 2 | 75 | 140 | 20 | 67.5 | 355 | 740 | 680 | 800 | 8-ø24 | 6 | 780 | 1225 | 2025 |
| | 4-12 | 95 | 170 | 25 | 86 | 355 | 740 | 680 | 800 | 8-ø24 | 6 | 780 | 1225 | 2065 |
| 400M/L | 2 | 80 | 170 | 22 | 71 | 400 | 940 | 880 | 1000 | 8-ø28 | 6 | 810 | 1245 | 2150 |
| | 4-12 | 110 | 210 | 28 | 100 | 400 | 940 | 880 | 1000 | 8-ø28 | 6 | 810 | 1245 | 2180 |
| 450 | 2 | 95 | 170 | 25 | 86 | 450 | 940 | 880 | 1000 | 8-ø28 | 6 | 1030 | 1310 | 2550 |
| | 4-12 | 120 | 210 | 32 | 109 | 450 | 940 | 880 | 1000 | 8-ø28 | 6 | 1030 | 1310 | 2550 |
| 500 | 4-12 | 140 | 250 | 36 | 128 | 500 | 1080 | 1000 | 1150 | 8-ø28 | 6 | 1100 | 1360 | 2850 |
| 560 | 4-12 | 160 | 300 | 40 | 147 | 560 | 1080 | 1120 | 1250 | 8-ø28 | 6 | 1200 | 1480 | 2900 |



80-132

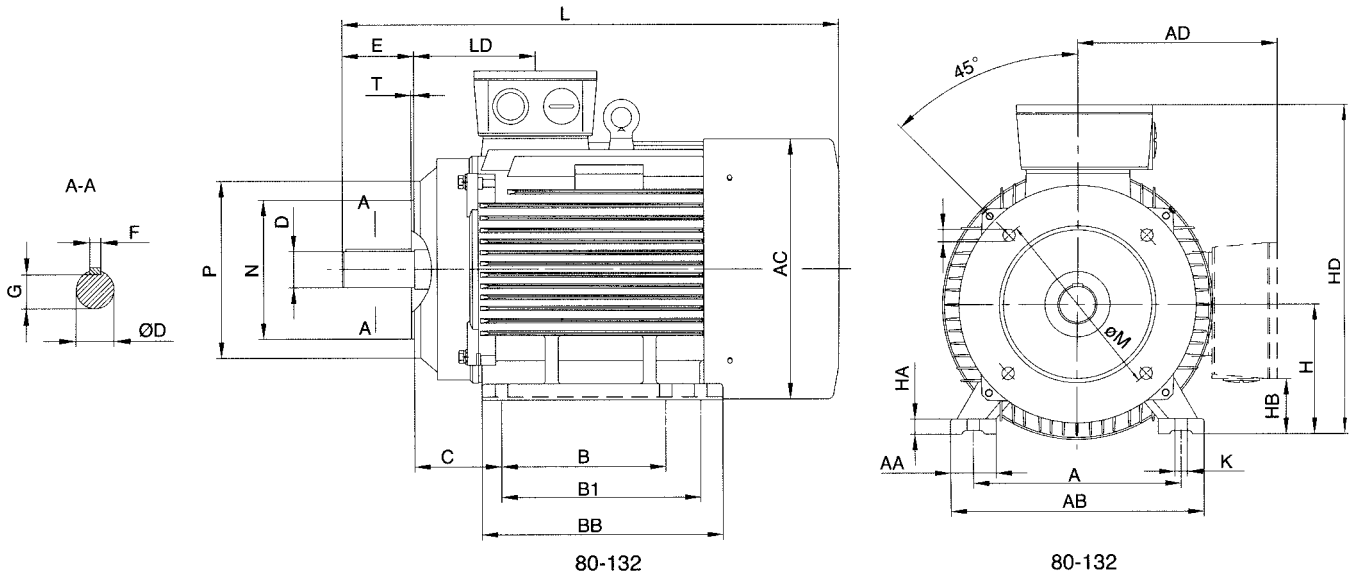
80-132

◆ B14

| Frame size | Pole | Mounting dimensions (mm) | | | | | | | | | | | | Overall dimensions (mm) | | |
|------------|-------|--------------------------|----|----|------|-----|----|-----|-----|-----|---|-------|-----|-------------------------|-----|-----|
| | | D | E | F | G | H | K | M | N | P | R | S | T | AC | HD | L |
| 63M | 2.4 | 11 | 23 | 4 | 8.5 | 63 | 7 | 75 | 60 | 90 | 0 | 4-M5 | 2.5 | 125 | 185 | 225 |
| 71M | 2.4.6 | 14 | 30 | 5 | 11 | 71 | 7 | 85 | 70 | 105 | 0 | 4-M6 | 2.5 | 140 | 200 | 250 |
| 80M | 2-12 | 19 | 40 | 6 | 15.5 | 80 | 10 | 100 | 80 | 120 | 0 | 4-M6 | 3 | 160 | 245 | 280 |
| 90S | 2-12 | 24 | 50 | 8 | 20 | 90 | 10 | 115 | 95 | 140 | 0 | 4-M8 | 3 | 175 | 255 | 315 |
| 90L | 2-12 | 24 | 50 | 8 | 20 | 90 | 10 | 115 | 95 | 140 | 0 | 4-M8 | 3 | 175 | 255 | 340 |
| 100L | 2-12 | 28 | 60 | 8 | 24 | 100 | 12 | 130 | 110 | 160 | 0 | 4-M8 | 3.5 | 200 | 290 | 375 |
| 112M | 2-12 | 28 | 60 | 8 | 24 | 112 | 12 | 130 | 110 | 160 | 0 | 4-M8 | 3.5 | 225 | 310 | 400 |
| 132S | 2-12 | 38 | 80 | 10 | 33 | 132 | 12 | 165 | 130 | 200 | 0 | 4-M10 | 4 | 260 | 365 | 465 |
| 132M | 2-12 | 38 | 80 | 10 | 33 | 132 | 12 | 165 | 130 | 200 | 0 | 4-M10 | 4 | 260 | 365 | 505 |

◆ B14

| Frame size | Pole | Mounting dimensions (mm) | | | | | | | | | | | | Overall dimensions (mm) | | |
|------------|-------|--------------------------|----|----|------|-----|----|-----|-----|-----|---|-------|-----|-------------------------|-----|-----|
| | | D | E | F | G | H | K | M | N | P | R | S | T | AC | HD | L |
| 63M | 2.4 | 11 | 23 | 4 | 8.5 | 63 | 7 | 100 | 80 | 120 | 0 | 4-M6 | 3 | 125 | 185 | 225 |
| 71M | 2.4.6 | 14 | 30 | 5 | 11 | 71 | 7 | 115 | 95 | 140 | 0 | 4-M8 | 3 | 140 | 200 | 250 |
| 80M | 2-12 | 19 | 40 | 6 | 15.5 | 80 | 10 | 130 | 110 | 160 | 0 | 4-M8 | 3.5 | 160 | 245 | 280 |
| 90S | 2-12 | 24 | 50 | 8 | 20 | 90 | 10 | 130 | 110 | 160 | 0 | 4-M8 | 3.5 | 175 | 255 | 315 |
| 90L | 2-12 | 24 | 50 | 8 | 20 | 90 | 10 | 130 | 110 | 160 | 0 | 4-M8 | 3.5 | 175 | 255 | 340 |
| 100L | 2-12 | 28 | 60 | 8 | 24 | 100 | 12 | 165 | 130 | 200 | 0 | 4-M10 | 3.5 | 200 | 290 | 375 |
| 112M | 2-12 | 28 | 60 | 8 | 24 | 112 | 12 | 165 | 130 | 200 | 0 | 4-M10 | 3.5 | 225 | 310 | 400 |
| 132S | 2-12 | 38 | 80 | 10 | 33 | 132 | 12 | 215 | 180 | 250 | 0 | 4-M12 | 4 | 260 | 365 | 465 |
| 132M | 2-12 | 38 | 80 | 10 | 33 | 132 | 12 | 215 | 180 | 250 | 0 | 4-M12 | 4 | 260 | 365 | 505 |

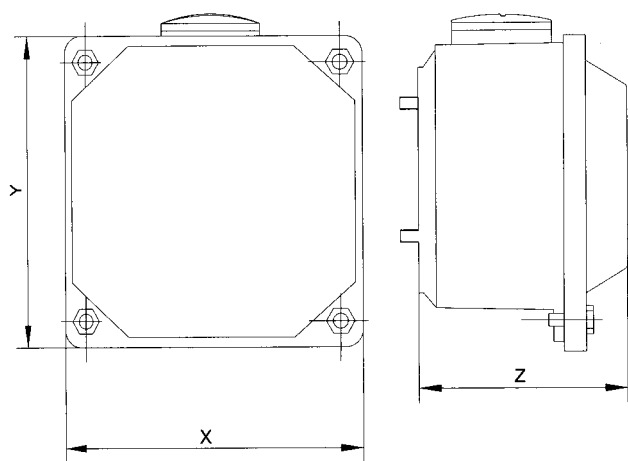


◆ B34

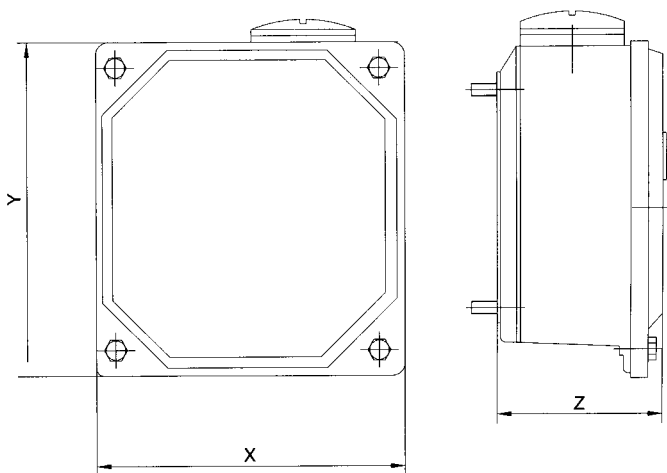
| Frame size | Pole | Mounting dimensions (mm) | | | | | | | | | | | | | | | Overall dimensions (mm) | | | | |
|------------|-------|--------------------------|-----|----|----|----|----|------|-----|----|-----|-----|-----|---|-------|-----|-------------------------|-----|-----|-----|-----|
| | | A | B | C | D | E | F | G | H | K | M | N | P | R | S | T | AB | AC | AD | HD | L |
| 63M | 2.4 | 100 | 80 | 40 | 11 | 23 | 4 | 8.5 | 63 | 7 | 75 | 60 | 90 | 0 | 4-M5 | 2.5 | 135 | 125 | - | 185 | 225 |
| 71M | 2.4.6 | 112 | 90 | 45 | 14 | 30 | 5 | 11 | 71 | 7 | 85 | 70 | 105 | 0 | 4-M6 | 2.5 | 150 | 140 | - | 200 | 250 |
| 80M | 2-12 | 125 | 100 | 50 | 19 | 40 | 6 | 15.5 | 80 | 10 | 100 | 80 | 120 | 0 | 4-M6 | 3 | 160 | 160 | 145 | 225 | 280 |
| 90S | 2-12 | 140 | 100 | 56 | 24 | 50 | 8 | 20 | 90 | 10 | 115 | 95 | 140 | 0 | 4-M8 | 3 | 180 | 175 | 155 | 245 | 315 |
| 90L | 2-12 | 140 | 125 | 56 | 24 | 50 | 8 | 20 | 90 | 10 | 115 | 95 | 140 | 0 | 4-M8 | 3 | 180 | 175 | 155 | 245 | 340 |
| 100L | 2-12 | 160 | 140 | 63 | 28 | 60 | 8 | 24 | 100 | 12 | 130 | 110 | 160 | 0 | 4-M8 | 3.5 | 200 | 200 | 180 | 270 | 375 |
| 112M | 2-12 | 190 | 140 | 70 | 28 | 60 | 8 | 24 | 112 | 12 | 130 | 110 | 160 | 0 | 4-M8 | 3.5 | 230 | 225 | 190 | 305 | 400 |
| 132S | 2-12 | 216 | 140 | 89 | 38 | 80 | 10 | 33 | 132 | 12 | 165 | 130 | 200 | 0 | 4-M10 | 4 | 265 | 260 | 210 | 345 | 465 |
| 132M | 2-12 | 216 | 178 | 89 | 38 | 80 | 10 | 33 | 132 | 12 | 165 | 130 | 200 | 0 | 4-M10 | 4 | 265 | 260 | 210 | 345 | 505 |

◆ B34

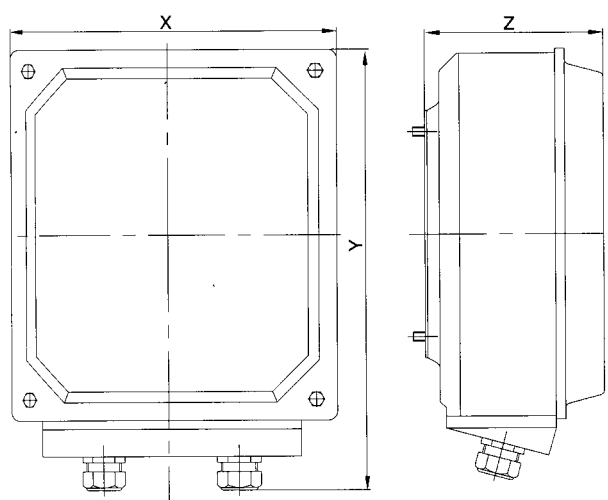
| Frame size | Pole | Mounting dimensions (mm) | | | | | | | | | | | | | | | Overall dimensions (mm) | | | | |
|------------|-------|--------------------------|-----|----|----|----|----|------|-----|----|-----|-----|-----|---|-------|-----|-------------------------|-----|-----|-----|-----|
| | | A | B | C | D | E | F | G | H | K | M | N | P | R | S | T | AB | AC | AD | HD | L |
| 63M | 2.4 | 100 | 80 | 40 | 11 | 23 | 4 | 8.5 | 63 | 7 | 100 | 80 | 120 | 0 | 4-M6 | 3 | 135 | 125 | - | 185 | 225 |
| 71M | 2.4.6 | 112 | 90 | 45 | 14 | 30 | 5 | 11 | 71 | 7 | 115 | 95 | 140 | 0 | 4-M8 | 3 | 150 | 140 | - | 200 | 250 |
| 80M | 2-12 | 125 | 100 | 50 | 19 | 40 | 6 | 15.5 | 80 | 10 | 130 | 110 | 160 | 0 | 4-M8 | 3.5 | 160 | 160 | 145 | 225 | 280 |
| 90S | 2-12 | 140 | 100 | 56 | 24 | 50 | 8 | 20 | 90 | 10 | 130 | 110 | 160 | 0 | 4-M8 | 3.5 | 180 | 175 | 155 | 245 | 315 |
| 90L | 2-12 | 140 | 125 | 56 | 24 | 50 | 8 | 20 | 90 | 10 | 130 | 110 | 160 | 0 | 4-M8 | 3.5 | 180 | 175 | 155 | 245 | 340 |
| 100L | 2-12 | 160 | 140 | 63 | 28 | 60 | 8 | 24 | 100 | 12 | 165 | 130 | 200 | 0 | 4-M10 | 3.5 | 200 | 200 | 180 | 270 | 375 |
| 112M | 2-12 | 190 | 140 | 70 | 28 | 60 | 8 | 24 | 112 | 12 | 165 | 130 | 200 | 0 | 4-M10 | 3.5 | 230 | 225 | 190 | 305 | 400 |
| 132S | 2-12 | 216 | 140 | 89 | 38 | 80 | 10 | 33 | 132 | 12 | 215 | 180 | 250 | 0 | 4-M12 | 4 | 265 | 260 | 210 | 345 | 465 |
| 132M | 2-12 | 216 | 178 | 89 | 38 | 80 | 10 | 33 | 132 | 12 | 215 | 180 | 250 | 0 | 4-M12 | 4 | 265 | 260 | 210 | 345 | 505 |



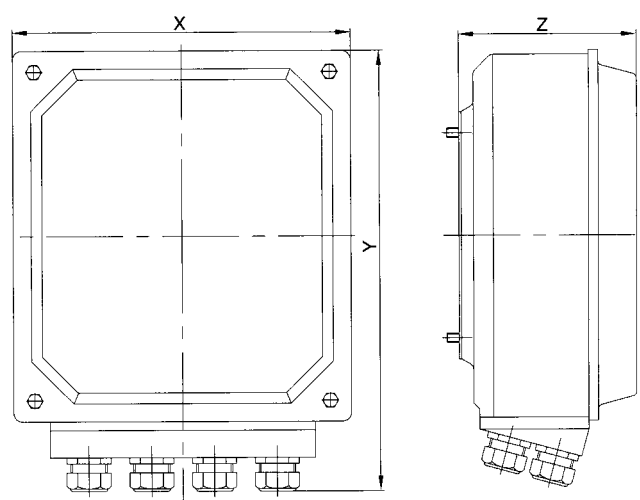
63~132



160~315



355~400



450~560

| Frame size | Dia.of the gland mm | X x Y x Z |
|------------------------|------------------------|-------------|
| Y ₂ 63~100 | 1-M20x1.5-6H | 106x108x65 |
| Y ₂ 112~132 | 1-M25x1.5-6H | 124x128x78 |
| Y ₂ 160~180 | 2-M32x1.5-6H | 158x168x90 |
| Y ₂ 200~225 | 2-M50x1.5-6H | 196x216x105 |
| Y ₂ 250~280 | 2-M63x1.5-6H | 226x226x124 |
| Y ₂ 315 | 2-M63x1.5-6H | 303x303x170 |
| Y ₂ 355~400 | 4-M63x1.5-6H | 440x670x275 |
| Y ₂ 450~560 | 7-M63x1.5-6H | 560x730x295 |

CUSCINETTI - BEARINGS

| B3 B35 B5 | | | | | | |
|------------|-------------|---------------|---------------|-----------------|-----------|-----------|
| Frame size | Driving End | | | Non-driving End | | |
| | 2 pole | 4 pole | >6 pole | 2 pole | 4 pole | >6 pole |
| 63 | 6201ZZ | 6201ZZ | 6201ZZ | 6201ZZ | 6201ZZ | 6201ZZ |
| 71 | 6202ZZ | 6202ZZ | 6202ZZ | 6202ZZ | 6202ZZ | 6202ZZ |
| 80 | 6204ZZ | 6204ZZ | 6204ZZ | 6204ZZ | 6204ZZ | 6204ZZ |
| 90 | 6205ZZ/C3 | 6205ZZ/C3 | 6205ZZ | 6205ZZ/C3 | 6205ZZ/C3 | 6205ZZ |
| 100 | 6206ZZ/C3 | 6206ZZ/C3 | 6206ZZ/C3 | 6206ZZ/C3 | 6206ZZ/C3 | 6206ZZ/C3 |
| 112 | 6306ZZ/C3 | 6306ZZ/C3 | 6306ZZ/C3 | 6306ZZ/C3 | 6306ZZ/C3 | 6306ZZ/C3 |
| 132 | 6308ZZ/C3 | 6308ZZ/C3 | 6308ZZ/C3 | 6308ZZ/C3 | 6308ZZ/C3 | 6308ZZ/C3 |
| 160 | 6309ZZ/C3 | 6309ZZ/C3 | 6309ZZ/C3 | 6309ZZ/C3 | 6309ZZ/C3 | 6309ZZ/C3 |
| 180 | 6311ZZ/C3 | 6311ZZ/C3 | 6311ZZ/C3 | 6311ZZ/C3 | 6311ZZ/C3 | 6311ZZ/C3 |
| 200 | 6312ZZ/C3 | 6312ZZ/C3 | 6312ZZ/C3 | 6312ZZ/C3 | 6312ZZ/C3 | 6312ZZ/C3 |
| 225 | 6313ZZ/C3 | 6313ZZ/C3 | 6313ZZ/C3 | 6313ZZ/C3 | 6313ZZ/C3 | 6313ZZ/C3 |
| 250 | 6314ZZ/C3 | 6314ZZ/C3 | 6314ZZ/C3 | 6314ZZ/C3 | 6314ZZ/C3 | 6314ZZ/C3 |
| 280 | 6314C3 | 6317C3 | 6317C3 | 6314C3 | 6317C3 | 6317C3 |
| 315 | 6317C3 | 6319C3(NU319) | 6319C3(NU319) | 6319C3 | 6319C3 | 6319C3 |
| 355 | 6319C3 | 6322C3(NU322) | 6322C3(NU322) | 6319C3 | 6320C3 | 6320C3 |
| 400 | 6317C3 | 6326C3(NU326) | 6326C3(NU326) | 6319C3 | 6326C3 | 6326C3 |
| 450 | 6320C3 | 6328C3(NU328) | 6328C3(NU328) | 6320C3 | 6328C3 | 6328C3 |
| 500 | / | 6330C3(NU330) | 6330C3(NU330) | / | 6330C3 | 6330C3 |
| 560 | / | / | 6334C3(NU334) | / | 6330C3 | 6330C3 |

| V1 | | | | | | |
|------------|-------------|---------------|---------------|-----------------|--------|---------|
| Frame size | Driving End | | | Non-driving End | | |
| | 2 pole | 4 pole | >6 pole | 2 pole | 4 pole | >6 pole |
| 315 | 6317C3 | 6319C3(NU319) | 6319C3(NU319) | 7317 | 7319 | 7319 |
| 355 | 6319C3 | 6322C3(NU322) | 6322C3(NU322) | 7319 | 7320 | 7320 |
| 400 | 6317C3 | 6326C3(NU326) | 6326C3(NU326) | 7319 | 7326 | 7326 |
| 450 | 6320C3 | 6328C3(NU328) | 6328C3(NU328) | 7320 | 7328 | 7328 |
| 500 | / | 6330C3(NU330) | 6330C3(NU330) | / | 7330 | 7330 |
| 560 | / | / | 6334C3(NU334) | / | 7330 | 7330 |

VIBRAZIONI - VIBRATION

| Frame size | ≤132 | | >132~225 | | >225~400 | |
|----------------------------|-------------------------------|------------|----------|------------|----------|------------|
| Synchronous Speed r/min | 600~1800 | >1800~3600 | 600~1800 | >1800~3600 | 500~1800 | >1800~3600 |
| Vibration Class | Effective Value of speed mm/s | | | | | |
| N | 1.8 | | 2.8 | | 3.5 | |
| R | 0.71 | 1.12 | 1.12 | 1.80 | 1.80 | 2.80 |
| S | 0.45 | 0.71 | 0.71 | 1.12 | 1.12 | 1.80 |

RUMOROSITÀ (50Hz)
NOISE (50Hz)

| Output (kW) | Synchronous Speed r/min | | | | | |
|-------------|--|---------|---------|---------|---------|---------|
| | 3000 | 1500 | 1000 | 750 | 600 | 500 |
| | Lp dB(A) Sound perssure level in dB(A) | | | | | |
| | no load | no load | no load | no load | no load | no load |
| 0.09 | / | / | / | / | 40 | / |
| 0.12 | / | 45 | / | / | 40 | / |
| 0.18 | 50 | 45 | 45 | 42 | 40 | / |
| 0.25 | 50 | 46 | 45 | 42 | 40 | 40 |
| 0.37 | 54 | 46 | 46 | 44 | 40 | 44 |
| 0.55 | 54 | 47 | 46 | 44 | 40 | 44 |
| 0.75 | 57 | 47 | 48 | 45 | 43 | 48 |
| 1.1 | 57 | 51 | 48 | 45 | 43 | 54 |
| 1.5 | 62 | 51 | 52 | 48 | 48 | 54 |
| 2.2 | 62 | 52 | 54 | 50 | 50 | 60 |
| 3 | 66 | 52 | 57 | 51 | 55 | 60 |
| 4 | 67 | 55 | 57 | 56 | 55 | 60 |
| 5.5 | 70 | 57 | 57 | 56 | 58 | 62 |
| 7.5 | 70 | 57 | 61 | 57 | 58 | 62 |
| 11 | 76 | 62 | 61 | 59 | 60 | 65 |
| 15 | 76 | 62 | 61 | 60 | 60 | 69 |
| 18.5 | 76 | 64 | 65 | 62 | 60 | 72 |
| 22 | 79 | 65 | 65 | 62 | 64 | 72 |
| 30 | 81 | 66 | 65 | 64 | 64 | 75 |
| 37 | 81 | 70 | 66 | 65 | 64 | 75 |
| 45 | 81 | 70 | 68 | 65 | 66 | 75 |
| 55 | 82 | 72 | 68 | 66 | 66 | 75 |
| 75 | 83 | 75 | 70 | 66 | 66 | 72 |
| 90 | 84 | 75 | 70 | 67 | 66 | 72 |
| 110 | 86 | 78 | 71 | 67 | 68 | 72 |
| 132 | 86 | 78 | 71 | 72 | 68 | 75 |
| 160 | 87 | 80 | 72 | 72 | 68 | 75 |
| 200 | 87 | 80 | 73 | 73 | 68 | 75 |
| 250 | 90 | 84 | 73 | 73 | 68 | 75 |
| 315 | 90 | 84 | 76 | 75 | 68 | 75 |
| 355 | 90 | 84 | 76 | 75 | 70 | 75 |
| 400 | 94 | 87 | 76 | 75 | 70 | 75 |
| 450 | 94 | 87 | 76 | 77 | 70 | 75 |
| 500 | 94 | 89 | 76 | 77 | 72 | 75 |
| 560 | 94 | 89 | 79 | 78 | 72 | 75 |
| 630 | 94 | 91 | 79 | 78 | 72 | / |
| 710 | 94 | 92 | 79 | 79 | 74 | / |
| 800 | 96 | 92 | 82 | 79 | 74 | / |
| 900 | 96 | 92 | 82 | 79 | 74 | / |
| 1000 | 96 | 92 | 82 | 80 | / | / |
| 1120 | 96 | 94 | 84 | 80 | / | / |
| 1250 | 96 | 94 | 84 | 80 | / | / |
| 1400 | 96 | 94 | 84 | / | / | / |

